



Traditional LED Bollard

P6 and P8 Series



The P-Series LED Bollards combine elegant design with **high performance** and **customizable features**, making them perfect for both residential and commercial landscaping and pathway lighting. These premium bollards come in flat or dome top styles, with options for 6" or 8" diameter, ensuring versatility to suit various aesthetic preferences and lighting needs.

IDEAL APPLICATIONS

- ✓ Pathways
- ✓ Townhouses
- ✓ Condos
- ✓ Campuses
- ✓ Parkettes
- ✓ Shopping Malls

Available in custom height and custom finish

SPECIFICATIONS

	P6R	P6RD	P8S	P8R	P8RD	MOUNTING				
Shaft Size	6" Diameter		6.75" Square	8" Diameter		Surface Mount				
Top	Flat	Dome	Flat	Flat	Dome	OPTIONAL				
PERFORMANCE						90° cutoff for 270° beam spread, 180° cutoff for 180° beam spread Frosted lens for improved light diffusion				
Light Output	2110/1640/1230* lm			3180/2460*/1900 lm		CONTROLS				
Efficacy	140 lm/W			126 lm/W		P6R/P6RD/P8S	0-10 V (5-100% dimming, Dim to Off)			
CCT	CCT Selectable - 3000K/4000K*/5000K					P8R/P8RD	0-10 V (0-100% dimming, Dim to Off)			
Beam Spread	360°					AMBIENT OPERATING TEMPERATURE				
BUG Rating	B1-U2-G1			B1-U3-G1		-40°C to 40°C (-40°F to 122°F)				
CRI	> 80					CERTIFICATIONS				
ELECTRICAL						CSA C22.2 No. 250.0-21 - Fifth Edition, UL 1598 (Fifth Edition) For Wet Locations				
Wattage	15/12/9* W		15*/12/9W		25/20*/15 W	MAX AMPERAGE DRAW (A)				
Voltage	120-347V						120V	240V	277V	347V
Surge Protection	4 kV as per IEC/EN61000-4-5					P6R/RD & P8S AT 9W	0.079	0.039	0.034	0.027
Power Factor	0.99					P6R/RD & P8S AT 12W	0.105	0.053	0.045	0.036
THD	≤ 20%					P6R/RD & P8S AT 15W	0.131	0.066	0.057	0.045
Cord	Pre-installed 2' Power Cable (STW 18/5 600V)					P8R/RD at 15W	0.131	0.066	0.057	0.045
CONSTRUCTION						P8R/RD at 20W	0.175	0.088	0.076	0.061
Housing	Extruded Aluminum					P8R/RD at 25W	0.220	0.109	0.095	0.076
Lens	Clear Acrylic Lens		Clear Polycarbonate Lens			LUMEN MAINTENANCE				
Paint	Corrosion resistant polyester powder coating (500hrs salt spray tested)					L70	L80	L90		
Height	847mm [33.3"]	919mm [36.2"]	965mm [38"]	990mm [39"]	1066mm [42"]	> 125,000 Hrs	> 100,000 Hrs	> 50,000 Hrs		
Weight	6.1kg [13.5lbs]		9.5kg [21.0lbs]			Note: Reported performance values were tested at 120V and 4000K for the highest wattage setting. Life hours are derived from IESNA LM-80 testing report and projected per IESNA TM-21 calculations.				
Bolt Circle Diameter	4"		4.5"		4.4"					

*Standard settings

P8S bollards meet UL/CSA standards for wet location

ORDERING GUIDE



Fixture	Wattage	Voltage	Colour Temp.	Optional Cutoff	Finish	Dimming	Lens Options
P6R P6RD P8S	LED15A9	H - 120-347V	VK - CCT Selectable 3000K/4000K/ 5000K	Blank - None*	SBK - Sandtex Black*	DIM - 0-10V Dimming	Blank - Clear lens*
P8R P8RD	LED25A15			C90 - 90° cutoff C180 - 180° cutoff**	BRZ - Bronze* BLK - Matte Black CST - Custom Colour		FR - Frosted lens**

* Standard configuration

** For P6R/RD and P8R/RD only

Custom bollard height is available as a Special order, please consult with RAB's CS team.

P6R/P6RD Default setting: 9W and 4000K.

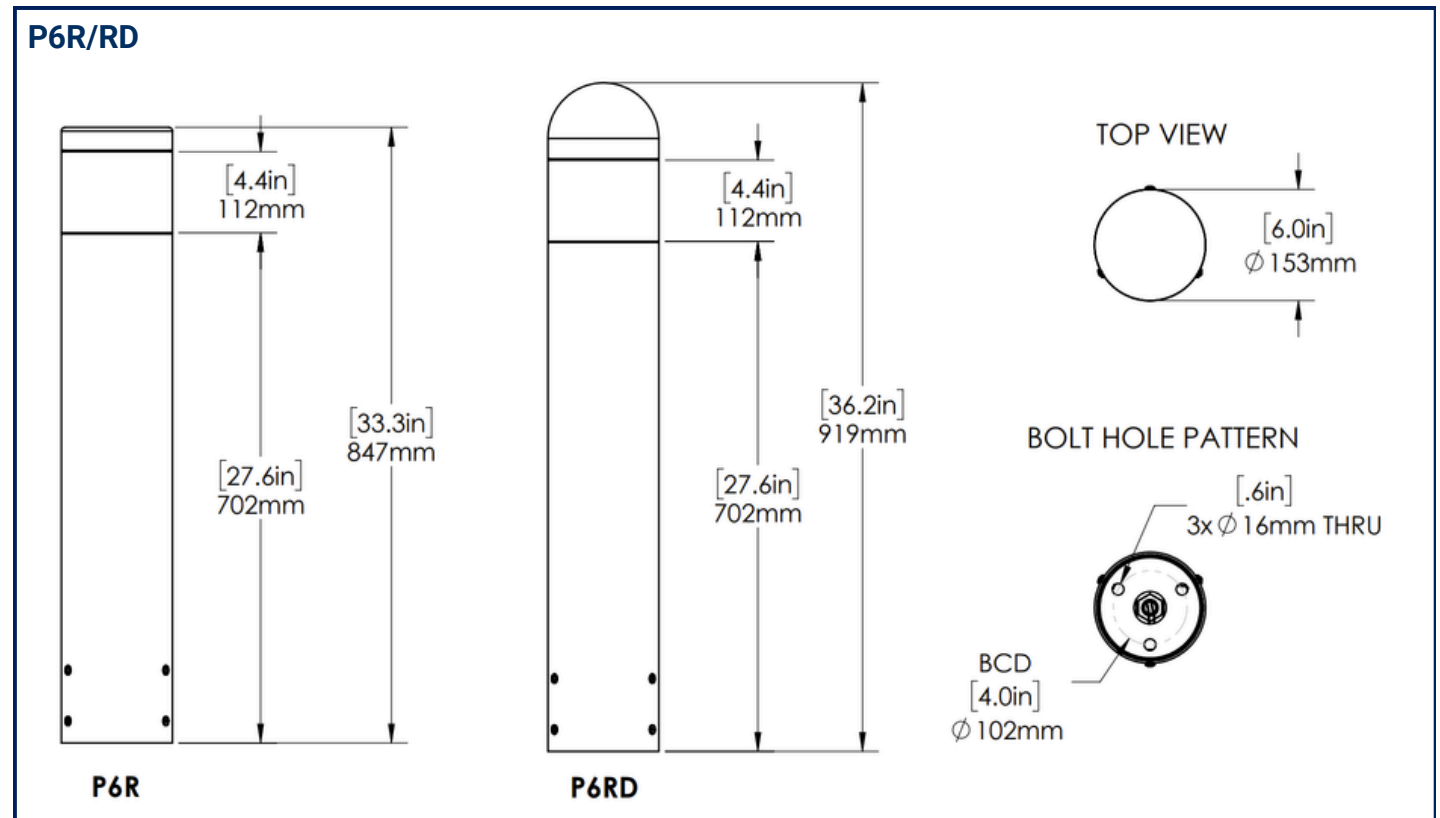
P8S Default settings: 15W and 4000K

P8R/P8RD Default setting: 20W and 4000K.

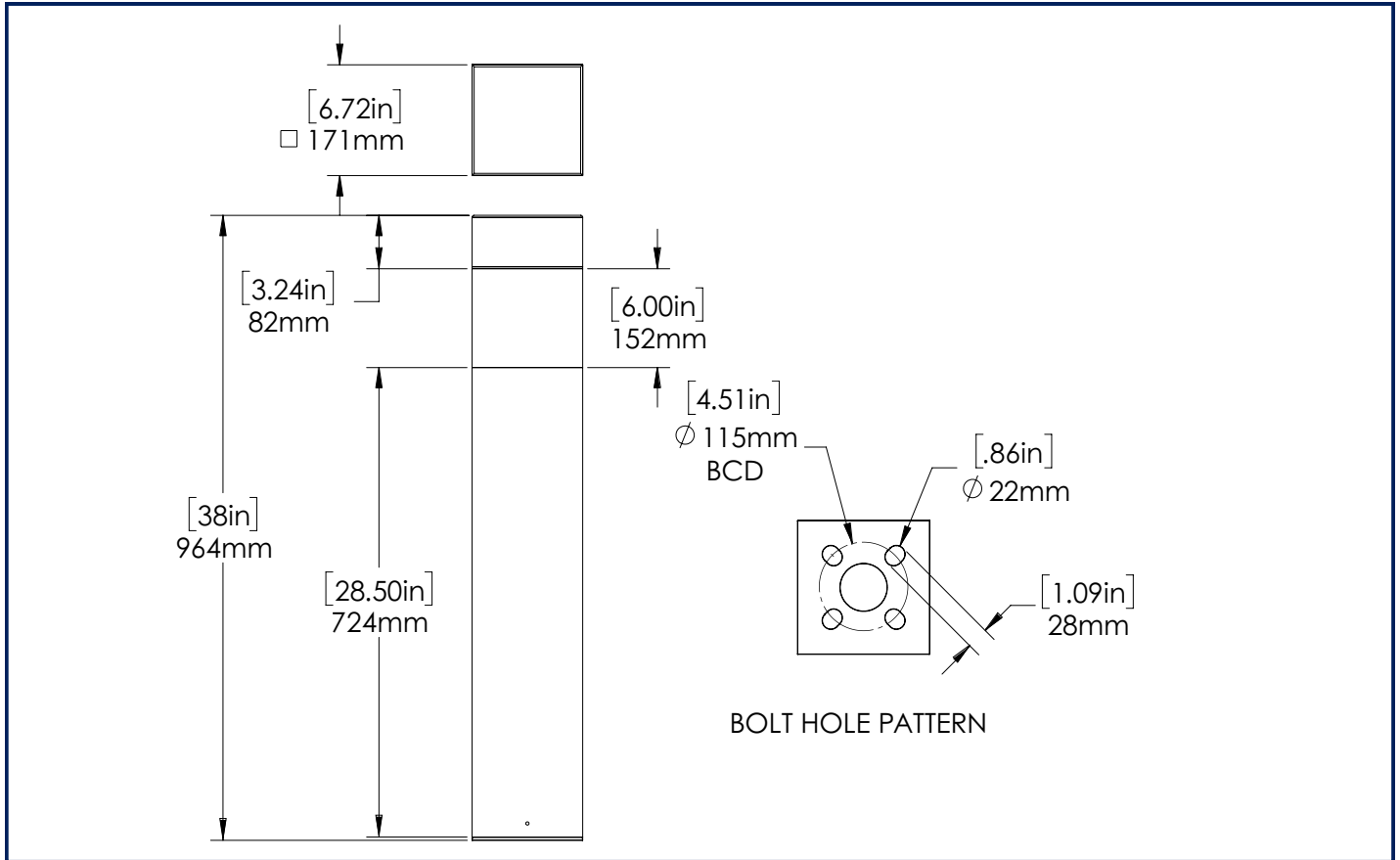
STOCK CODE	DESCRIPTION
084365	P6R-LED15A9-H-VK-SBK-DIM
084366	P6RD-LED15A9-H-VK-SBK-DIM
084367	P6R-LED15A9-H-VK-BRZ-DIM
084368	P6RD-LED15A9-H-VK-BRZ-DIM
084010	P8S-LED15A9-H-VK-BRZ-DIM
084012	P8S-LED15A9-H-VK-SBK-DIM
084369	P8R-LED25A15-H-VK-SBK-DIM
084370	P8RD-LED25A15-H-VK-SBK-DIM
084371	P8R-LED25A15-H-VK-BRZ-DIM
084372	P8RD-LED25A15-H-VK-BRZ-DIM

INCLUDED IN THE BOX	P6R/RD	P8S/P8R/RD
TEMPLATE		
ANCHOR BOLT SET		

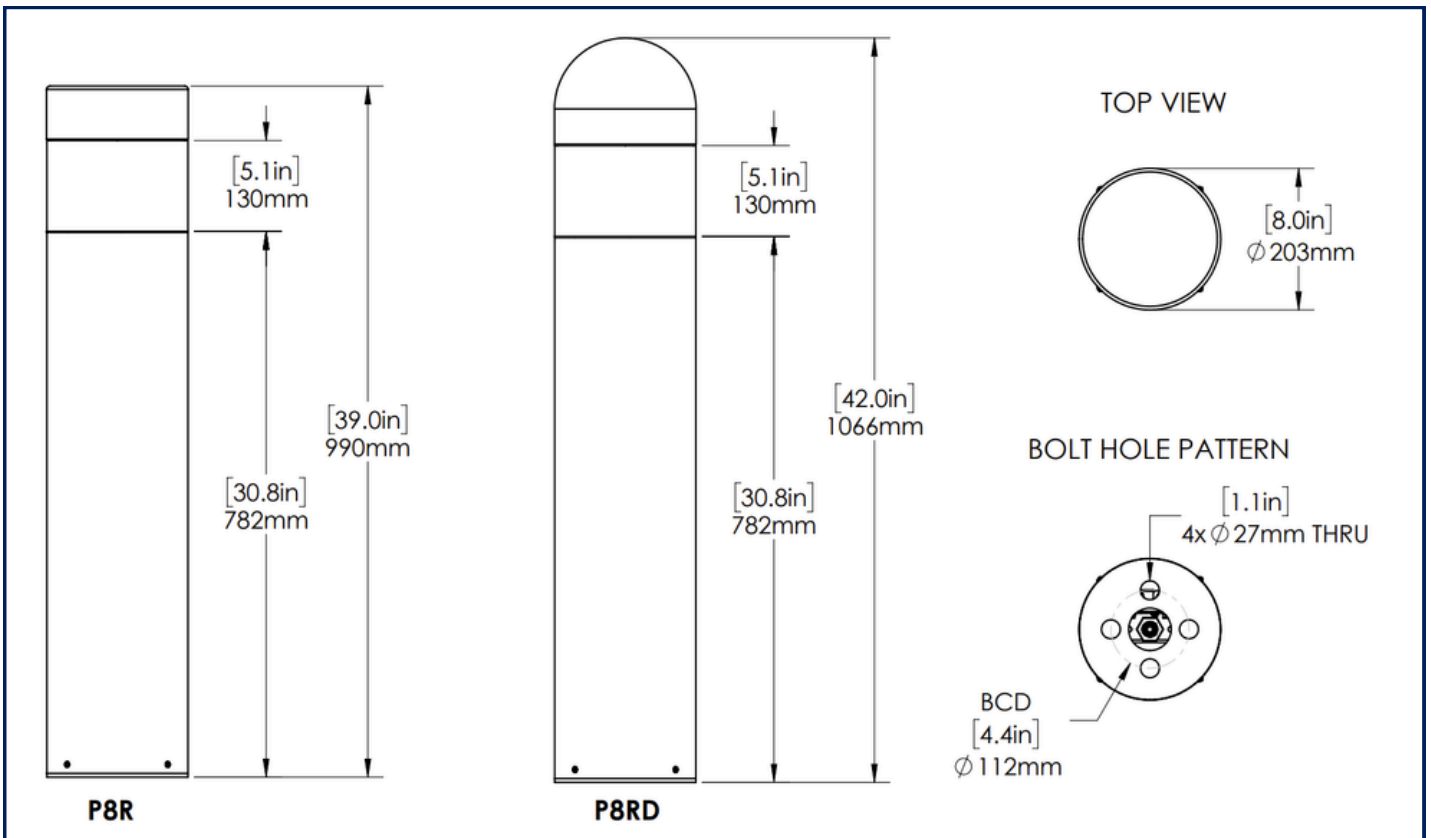
DIMENSIONS



P8S



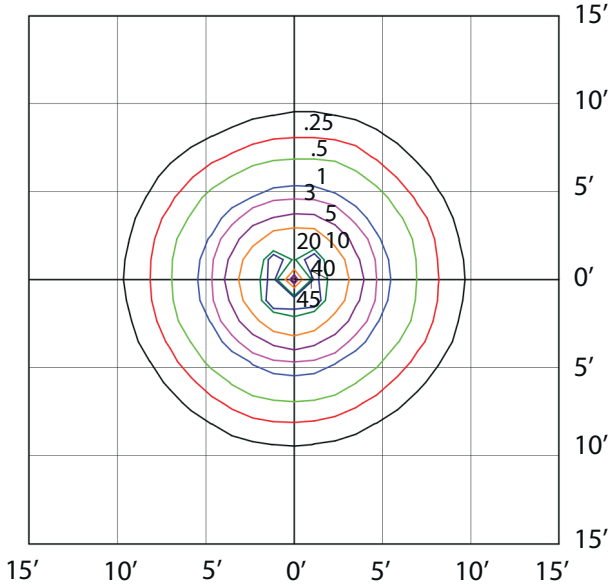
P8R/RD



PHOTOMETRIC PLOTS

P6R/RD-LED15A9-H-VK-DIM
(15W 120V 4000K)

Total Lumens = 1890LM Max. Calculated Value = 55.31 Fc



P8R/RD-LED25A15-H-VK-DIM
(25W 120V 4000K)

Total Lumens = 3054LM Max. Calculated Value = 36.23 Fc

