



STEEL POLES SSSP

The SSSP square straight steel poles are designed for top or side mounted luminaires, with a universal drill pattern on all four sides of the pole. Silicon plugs are included to cover all unused holes. SSSP poles are available in 15', 20', 24' and 30' lengths in a dark bronze finish.



IDEAL APPLICATIONS

- Parking lots
- Roads & Walkways
- Industrial and Commercial Buildings

SPECIFICATIONS

| | SSSP4-15-BRZ-G11 | SSSP4-20-BRZ-G11 | SSSP4-24-BRZ-G07 | SSSP5-30-BRZ-G07 |
|-----------------------------|--|------------------|------------------|------------------|
| CONSTRUCTION | | | | |
| Height | 15 ft | 20 ft | 24 ft | 30 ft |
| Pole Dimension | 4" Square | | | 5" Square |
| Gauge | 11 | | 7 | |
| Thickness | 0.119" | | 0.179" | |
| Bolt Circle Dimension (BCD) | 11" (From 10.6" to 11.4") | | | |
| Bolt Square Dimension (BSD) | 7.78" (From 7.3" to 8.4") | | | |
| Anchor Bolt Size | 3/4" x 30" x 4" | | | 1" x 36" x 4" |
| Hand Hole Size | 5.3" x 3.3" (Refer detailed drawing on page 4 for exact location) | | | |
| Ground terminal | Accessible from inside the Hand hole | | | |
| Finish | Bronze (Polyester powder-coat dark bronze finish over Galvanized steel) | | | |
| Weight | 121 lbs | 150 lbs | 245 lbs | 368 lbs |
| Accessories | Base Cover, Tenon, Bull Horn, Top Cap, Anchor Bolts & Template (Anchor Bolts and Template are packed in one box) | | | |

CERTIFICATIONS

CSA C22.2 NO. 206:22, CSA C22.2 No. 250.0-21, per UL 1598:2021,
CSA S6-19 (Canadian Highway Bridge Design Code), Welding Standard: CSA W47.1

COMPATIBLE FIXTURE FAMILY

| HELIX | JAGUAR | AL | SKY2S | FLxS |
|---|---|--|---|---|
|  |  |  |  |  |

 **Quick Ship Available**



ORDERING GUIDE

| SSSP4-15-BRZ-G11 | | SSSP4-20-BRZ-G11 | | SSSP4-24-BRZ-G07 | | SSSP5-30-BRZ-G07 | |
|------------------|--------|------------------|--------|------------------|--------|------------------|--------|
| Stock Code | 084791 | Stock Code | 083970 | Stock Code | 083971 | Stock Code | 083972 |
| Height | 15 ft | Height | 20 ft | Height | 24 ft | Height | 30 ft |
| Finish | Bronze | Finish | Bronze | Finish | Bronze | Finish | Bronze |
| Gauge | 11 | Gauge | 11 | Gauge | 7 | Gauge | 7 |

ACCESSORIES SOLD SEPARATELY

| | SSSP4 | | SSSP5 | |
|---|--------|--|--------|--|
|  | 083978 | TOP CAP F/SSSP4 BRZ | 083979 | TOP CAP F/SSSP5 BRZ |
|  | 083962 | BASE COVER F/SSSP4- BRZ | 083963 | BASE COVER F/SSSP5- BRZ |
|  | 083964 | ANCHOR BOLT & TEMPLATE - 3/4" x 30" x 4" (Set of four) | 083966 | ANCHOR BOLT & TEMPLATE - 1" x 36" x 4" (Set of four) |
|  | 083969 | PA1-BRZ-2-3/8" TENON F/SSSP4-G11 | 083980 | PA1-BRZ-2-3/8" TENON F/SSSP5-G07 |
|  | 083967 | PA2-180-BRZ-2-3/8" TENON F/SSSP4-G11 | 083968 | PA2-180-BRZ-2-3/8" TENON F/SSSP5-G07 |
|  | 084600 | PA3-180-BRZ-2-3/8" TENON F/SSSP4-G11 | 084601 | PA3-180-BRZ-2-3/8" TENON F/SSSP5-G07 |
|  | 084606 | PA4-90-BRZ-2-3/8" TENON F/SSSP4-G11 | 084607 | PA4-90-BRZ-2-3/8" TENON F/SSSP5-G07 |

- Anchor bolts are sold separately and can be pre-shipped upon request.

| EPA WIND LOAD RATING | | | | | | | | | | |
|-------------------------|-----------|------------------|-----------|------------------|-----------|------------------|-----------|------------------|-----------|------------------|
| | 70mph | | 80mph | | 90mph | | 100mph | | 110mph | |
| | EPA (ft²) | Max Weight (lbs) | EPA (ft²) | Max Weight (lbs) | EPA (ft²) | Max Weight (lbs) | EPA (ft²) | Max Weight (lbs) | EPA (ft²) | Max Weight (lbs) |
| SSSP4-15-BRZ-G11 | 15.0 | 375 | 12.0 | 300 | 10.0 | 250 | 7.0 | 175 | 5.0 | 125 |
| SSSP4-20-BRZ-G11 | 11.0 | 275 | 7.0 | 175 | 4.5 | 113 | 2.4 | 60 | 0.9 | 23 |
| SSSP4-24-BRZ-G07 | 12.0 | 300 | 8.0 | 200 | 5.0 | 125 | 2.6 | 65 | 1.0 | 25 |
| SSSP5-30-BRZ-G07 | 12.0 | 300 | 6.0 | 150 | 3.0 | 75 | N/A | N/A | N/A | N/A |

NOTE:

- EPA and Max. Weight allowances are calculated based on CSA S6-19 (Canadian Highway Bridge Design Code) with design method based on AASHTO LRFD LTS-1 2015 (Specifications for Structural Supports for Highway Signs, Luminaires and Traffic Signals).

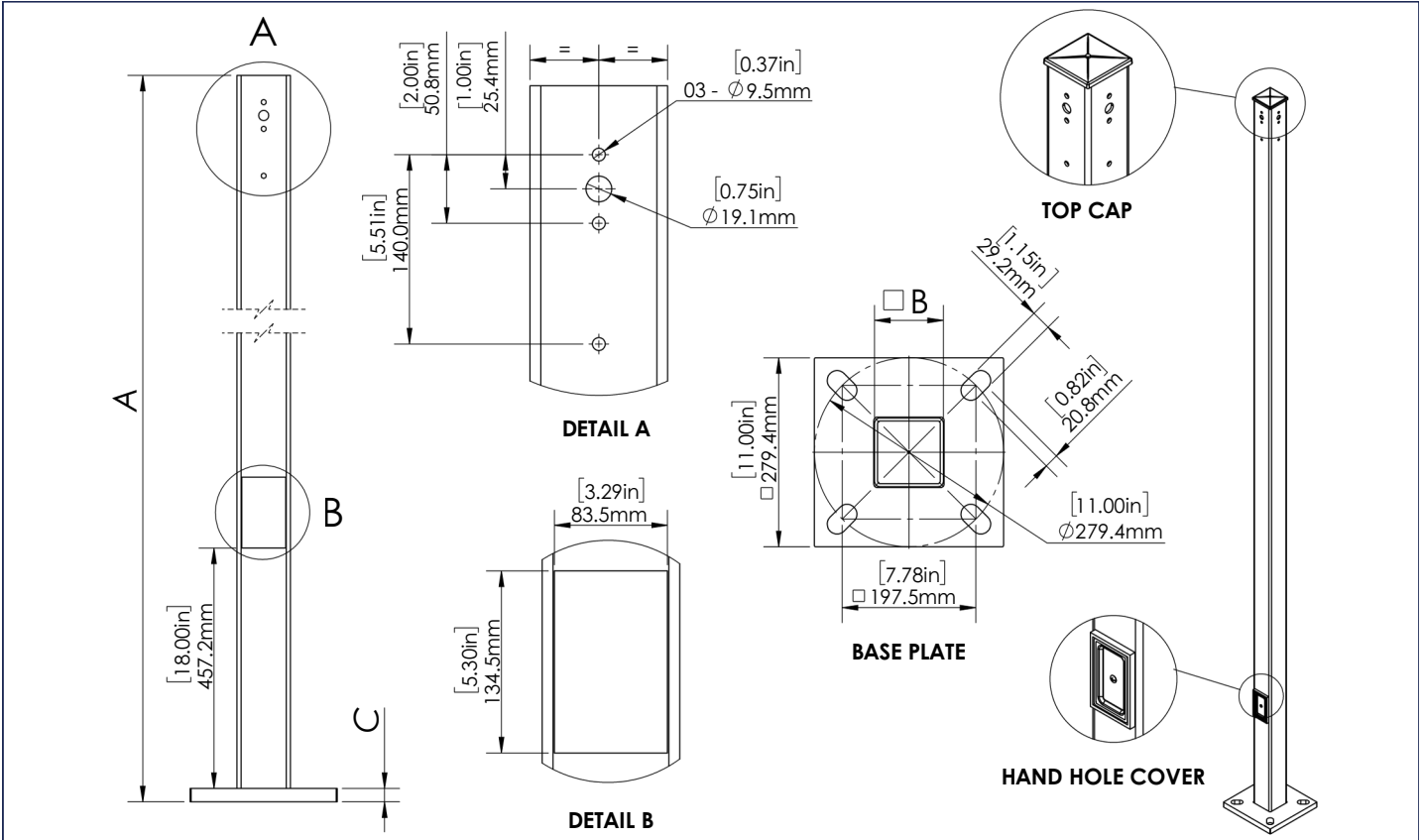
| SSSP4 | | |
|----------------------|-----------|--------------|
| ACCESSORY | EPA (ft²) | WEIGHT (lbs) |
| PA1-SSSP4 | 0.1 | 3.30 |
| PA2-180-SSSP4 | 0.4 | 19.80 |
| PA3-180-SSSP4 | 0.5 | 35.30 |
| PA4-90-SSSP4 | 0.5 | 55.10 |

| SSSP5 | | |
|----------------------|-----------|--------------|
| ACCESSORY | EPA (ft²) | WEIGHT (lbs) |
| PA1-SSSP5 | 0.1 | 4.40 |
| PA2-180-SSSP5 | 0.4 | 19.80 |
| PA3-180-SSSP5 | 0.5 | 35.30 |
| PA4-90-SSSP5 | 0.5 | 59.50 |

NOTES:

- Always consult local authorities to determine maximum wind velocities, gusting and unique wind conditions for each specific application.
- Allowable pole EPA for jobsite wind conditions must be equal to or greater than the total EPA for fixtures, arms, and accessories to be assembled to the pole. Responsibility lies with the specifier for correct pole selection. Installation of poles without luminaires or attachment of any unauthorized accessories to poles is discouraged and shall void the manufacturer's warranty.
- Wind speeds and listed EPAs are for ground mounted installations. Poles mounted on structures (such as bridges and buildings) must consider vibration and coefficient of height factors beyond this general guide; Consult local and federal standards.
- Wind Induced Vibration brought on by steady, unidirectional winds and other unpredictable aerodynamic forces are not included in wind velocity ratings.
- Extreme Wind Events like, Hurricanes, Typhoons, Cyclones, or Tornadoes may expose poles to flying debris, wind shear or other detrimental effects not included in wind velocity ratings.
- Due to our continued efforts to improve our products, product specifications are subject to change without notice.
- RAB Design Lighting is not responsible for the foundation design.
- If poles are stored outside, all protective wrapping must be removed immediately upon delivery to prevent finish damage.
- All poles are covered under warranty in accordance with our warranty terms; please refer to the detailed pole warranty statement for full conditions.**

DIMENSIONS



DIMENSION FOR DIM DRAWING

| POLES | A | B | C | GAUGE |
|----------|---------------|---------------|--------------|-------|
| SSSP4-15 | 15' (4572 mm) | 4" (101.6 mm) | 1" (25.4 mm) | 11 |
| SSSP4-20 | 20' (6096 mm) | 4" (101.6 mm) | 1" (25.4 mm) | 11 |
| SSSP4-24 | 24' (7315 mm) | 4" (101.6 mm) | 1" (25.4 mm) | 07 |
| SSSP5-30 | 30' (9144 mm) | 5" (127 mm) | 1" (25.4 mm) | 07 |

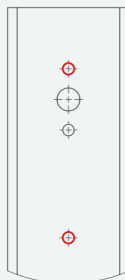
DRILL PATTERN COMPATIBILITY WITH RAB FIXTURES (ACCESSORY)

HELIX1/HELIX2/JAG1S/JAG2S
WITH (020010 - DIRECT MOUNT FOR ROUND/SQUARE POLE)

FL5S/FL6S/FL8S/FL9S
WITH (082762 - MOUNTING ARM FOR ROUND/SQUARE POLE)

SKY2S WITH (DIRECT POLE MOUNT)*

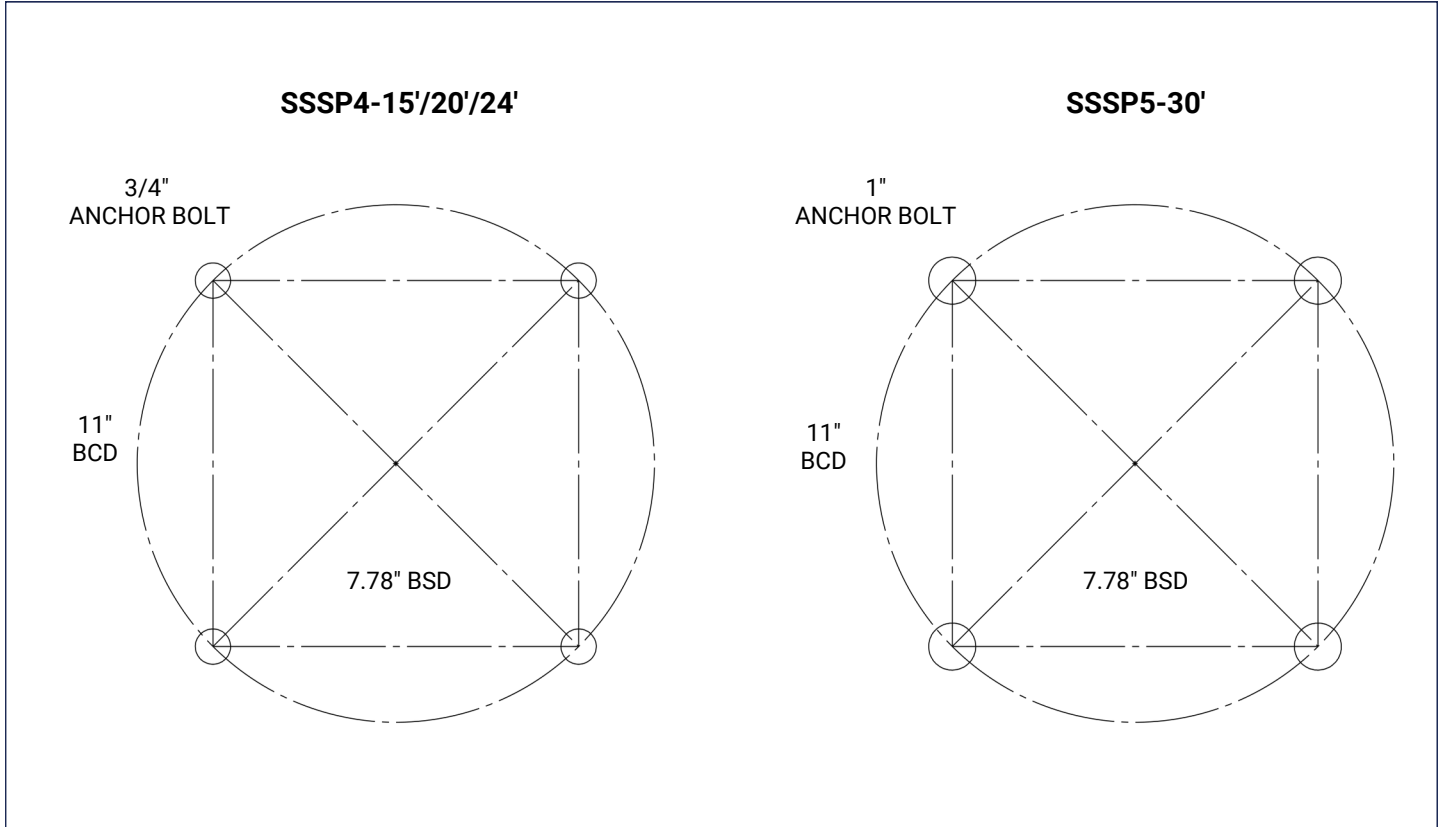
AL1/AL2/AL3 WITH (002238 - ARM FOR SQUARE POLE)



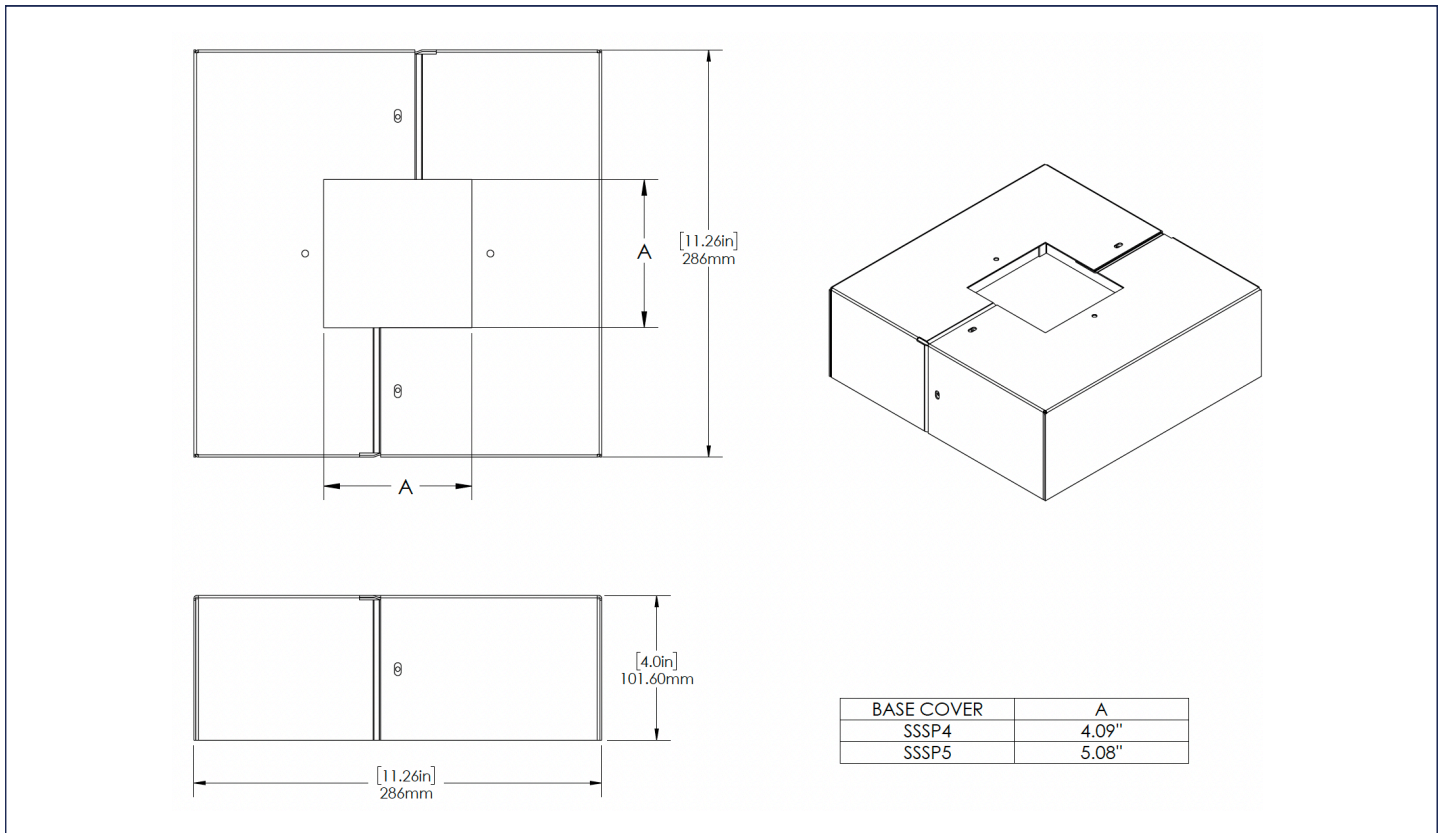
NOTES:

- The marked pre-drilled holes (in red) are compatible with the respective RAB DESIGN products and mounting accessories (as specified in brackets).
- For SKY2S, Direct Pole mount comes with the fixture.

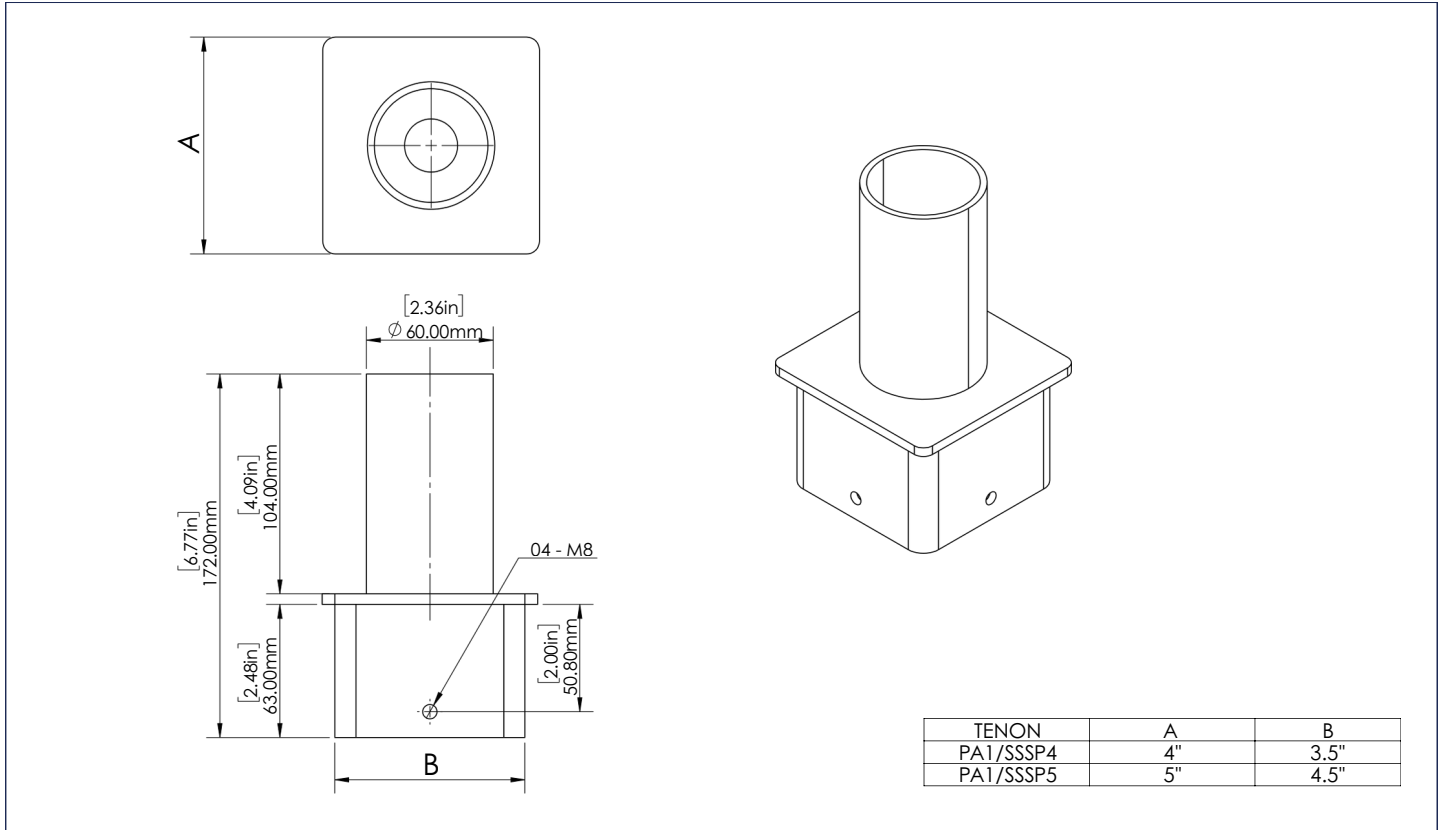
ANCHOR BOLT TEMPLATE



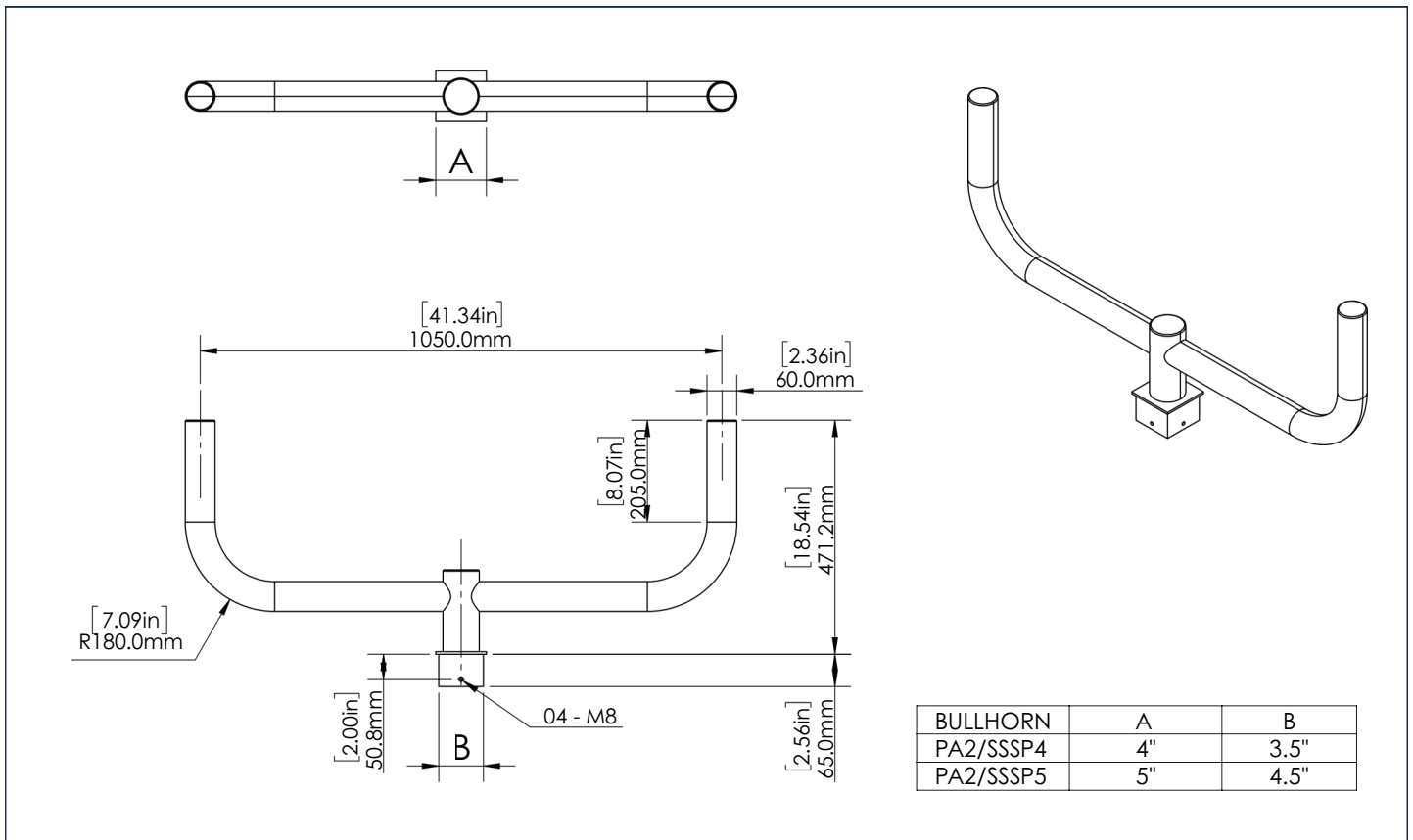
BASE COVER



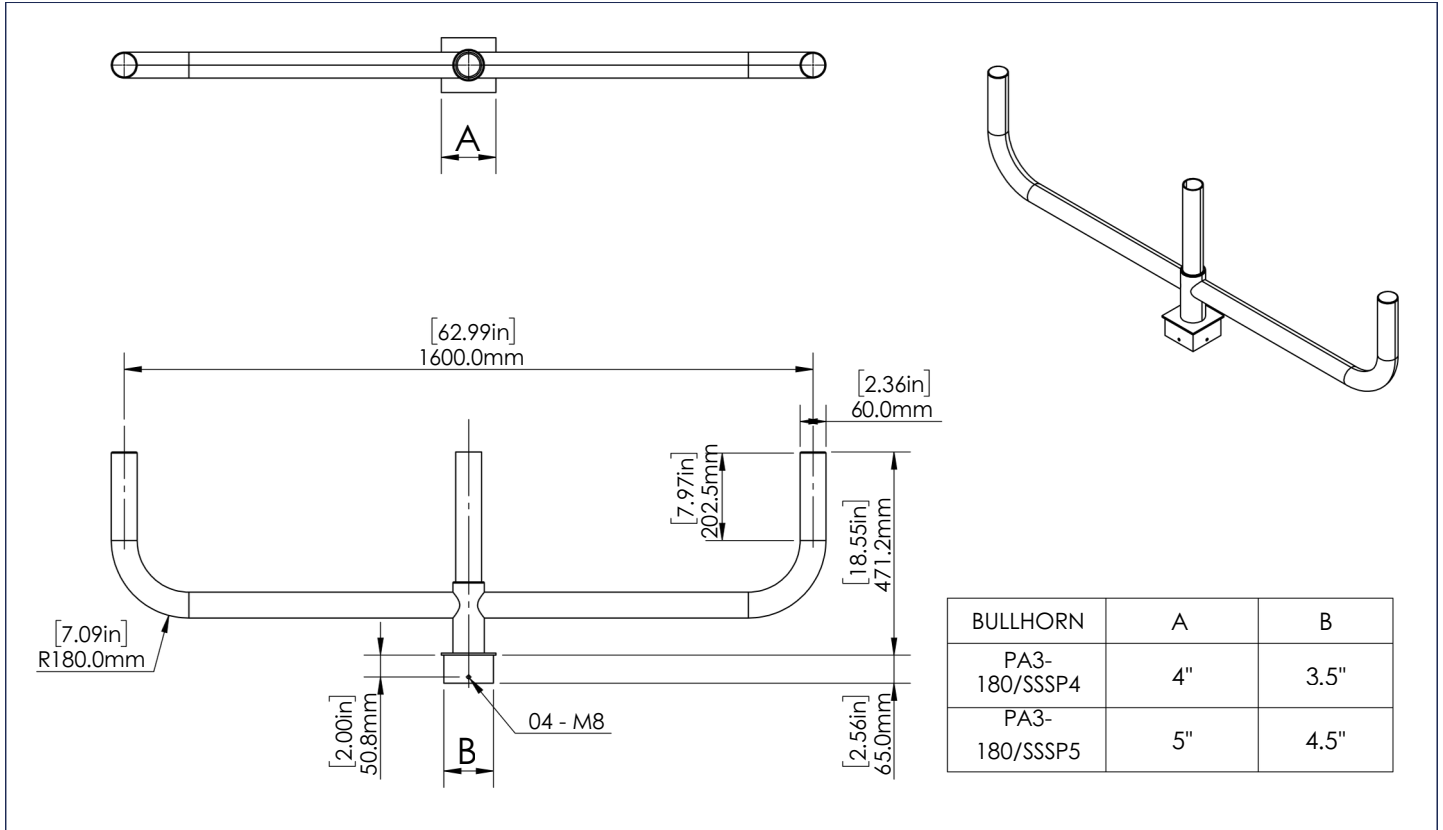
TENON - PA1



BULLHORN - PA2-180



BULLHORN - PA3-180



BULLHORN - PA4-90

