



## LED Retrofit Kit

### RFK-CT-LED



RFK-CT14 shown

A universal LED retrofit kit for troffers, flat panels, strips, and wrap fixtures. Featuring adjustable CCT and wattage, it allows customized light output for any environment. Designed for high efficiency, it uses existing fixture housings to simplify installation, reduce waste, and provide a fast, cost-effective upgrade from fluorescent to LED for commercial and industrial applications.

### IDEAL APPLICATIONS

- ✓ Offices
- ✓ Schools
- ✓ Retail Stores
- ✓ Hospitals

### SPECIFICATIONS

	RFK-CT22	RFK-CT14	RFK-CT24
<b>PERFORMANCE</b>			
Light Output	3600/3000/2400lm	4800/3600/2400lm	7200/6000/4800lm
	Lumen Selectable		
Efficacy	120lm/W		
CCT	3000/4000/5000K (CCT Selectable)		
Dimming	0-10V (0% to 100% Continuous Dimming, Dim to OFF)*, DALI		
LED Lifetime(L70)	>100,000 Hrs		
CRI	>80		
<b>ELECTRICAL</b>			
Wattage	30/25/20W	40/30/20W	60/50/40W
Voltage	120 - 347V (0-10V)* 120 - 277V, 347V (DALI)		
Power Factor	≥0.9		
THD	≤11%		
<b>AMBIENT OPERATING TEMPERATURE</b>			
Fixture	-20°C to 40°C (-4°F to 104°F)		
<b>WEIGHTS &amp; MEASURES</b>			
Weight	1.32 lbs	1.73 lbs	2.65 lbs
LED Lamp Size	21.70" x 0.75" x 0.94"	45.90" x 0.75" x 0.94"	
<b>MOUNTING</b>			
Magnetic LED strips for ease of installation Separate set of magnets for installing LED driver			
<b>CERTIFICATIONS</b>			
cULus Listed for Canada and USA, per UL 1598, CSA C22.2 No. 250.1, CSA C22.2 No. 250.0, DLC Standard			

Note:

- Lumen values mentioned are tested at 4000K CCT setting
- \*DLC applies to 0-10V models only



MAX AMPERAGE DRAW (A)						
	120V	208V	240V	277V	347V	
RFK-CT22	0.263	0.151	0.131	0.114	0.091	
RFK-CT14	0.350	0.202	0.175	0.150	0.120	
RFK-CT24	0.525	0.303	0.263	0.227	0.182	

LUMEN MAINTENANCE		
L90	L80	L70
>40000 hrs	>80000 hrs	>100000 hrs

## ORDERING GUIDE



Fixture	Wattage	Voltage	Colour Temp.	Dimming	Controls	Packaging
RFK-CT22	LED30A20	H - 120-347V	VK - CCT Selectable (3000K/4000K/5000K)	DIM - 0-10V Dimming	BLANK - Non-Sensor Ready	BLANK - 4 Set per carton
RFK-CT14	LED40A20	B - 120-277V			SR - Sensor Ready	**1/30 - 30 sets per carton
RFK-CT24	LED60A40	C - 347V		*DALI		**1/20 - 20 sets per carton

**Default Settings:** Maximum Wattage/4000K

\* DALI option is available with dedicated CCT and dedicated Wattage (Highest Wattage).

Please reach out to the RAB Design CS team.

\*\* For RFK-CT22 and RFK-CT14 bulk packaging will have 30 sets per carton.

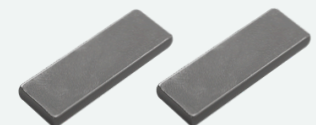
\*\* For RFK-CT24, bulk packaging will have 20 sets per carton only.

## ORDERING INFORMATION

Fixture	No. of Lamps	Length of Lamps (ft)	No. of Driver
RFK-CT22	2	2	1
RFK-CT14	2	4	1
RFK-CT24	3	4	1




## INCLUDED IN THE BOX

2 Magnet Bars per Driver



STOCK CODES	
084468	RFK-CT22-LED30A20-H-VK-DIM-1/30
084309	RFK-CT14-LED40A20-H-VK-DIM-1/30
084469	RFK-CT24-LED60A40-H-VK-DIM-1/20
085042	RFK-CT14-LED40A20-H-VK-DIM-SR-1/30
085043	RFK-CT22-LED30A20-H-VK-DIM-SR-1/30
085044	RFK-CT24-LED60A40-H-VK-DIM-SR-1/20
085034	RFK-CT14-LED40A20-H-VK-DIM
085040	RFK-CT22-LED30A20-H-VK-DIM
085041	RFK-CT24-LED60A40-H-VK-DIM
085045	RFK-CT14-LED40A20-H-VK-DIM-SR
085046	RFK-CT22-LED30A20-H-VK-DIM-SR
085047	RFK-CT24-LED60A40-H-VK-DIM-SR

\*One unit includes a pre-wired combination of specified numbers of Lamps and a Driver as mentioned in the ordering information table.

ACCESSORIES SOLD SEPARATELY		
085011	MW20P-RCM-D1 (Standalone Microwave sensor)	
083789	CONTROLLED RC-500 MOTION SENSOR REMOTE CONTROL	
085012	RFK-CT-LED 8W EMERGENCY BATTERY BACKUP*	

\*Battery Backup only provides fixed Colour Temperature (per wiring).

BATTERY BACKUP SPECIFICATIONS	
Input Power	8W
Input Voltage	120-347V
Output Power (Emergency Mode)	8W
Recharge Current	0-200mA
Recharge Time	24 Hrs
Discharge Time	90 min
Ambient Operating Temperature <sup>1</sup>	10°C to 60°C (50°F to 140°F)
Service Life	50,000 Hrs
IP Rating	IP20
Light Output <sup>2</sup>	960 lm

<sup>1</sup>When installed in the fixture, the system's ambient operating temperature is limited by the component with the lowest allowable range.

<sup>2</sup>Lumen output with emergency battery backup can be calculated by multiplying the battery output power with the efficacy of fixture.

Note: In emergency mode, the CCT will be fixed (per wiring). Once power is restored, the CCT will revert to the setting configured on the CCT select switch.

MICROWAVE SENSOR SPECIFICATIONS	
Input Voltage	12VDC
Input Current	40mA Max.
Input Power	0.5W
Output Current	10mA Max. Sinking Current
Output Power	0.1W
Dimming	Class 2, 0-10VDC
Radio Frequency	2.4GHz ±75MHz
Housing Material	Polycarbonate (UL 94-5VA)
Housing Finish	White
Detection Range	45ft Max.
Mounting Height	20ft Max.
Indoor/Outdoor Use	Indoor Use Only
Operating Temperature	-30°C to 55°C (-22°F to 131°F)
Storage Temperature	-30°C to 85°C (-22°F to 185°F)
IP Rating	IP20

MOTION SENSOR PROGRAMMING	
Programming Tool	RC-500 Remote Control
Brightness	50%/75%/100%*
Sensitivity	Sensitivity of surrounding motion OFF/LOW/HIGH* OFF indicates sensor mode is disabled and it will act as photocell only
Hold Time	After no motion for [HOLD TIME], the fixture dims from [TRIM-LEVEL] to [STANDBY DIM]. 30sec/5min*/15min/30min
Standby Dim	After no motion for [STANDBY TIME] after [HOLD TIME] has passed, the fixture turns off. 10sec/5min/15min/30min/60min*/∞ Select ∞ if the fixture should not turn off and should stay at [STANDBY DIM] level.
Standby Time	Fixture dims to this level after [HOLD TIME] has passed. 0%/10%/30%*/50%

Notes:

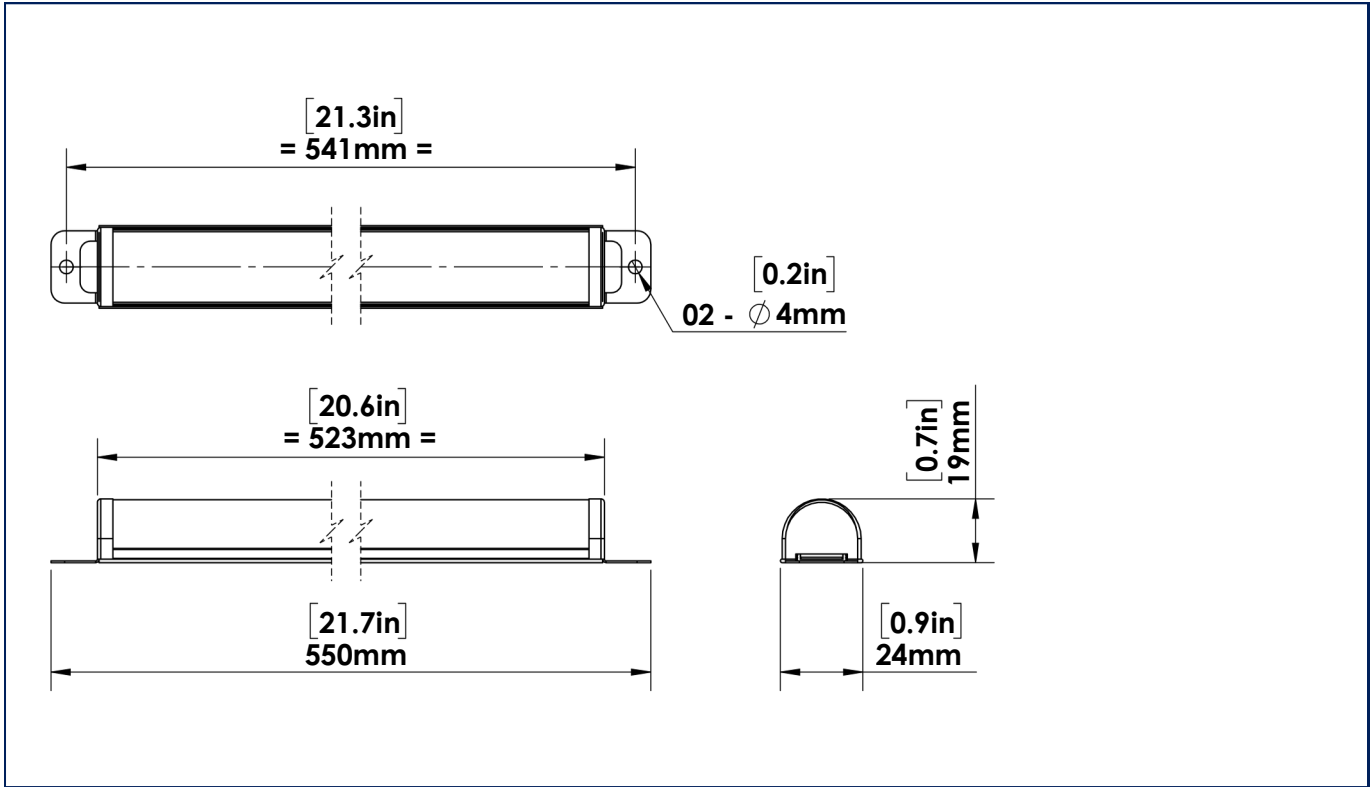
\* refers to the default settings when using RC-500 Remote Control

Default Setting : Motion Sensor: ON, Occupancy/Vacancy Mode:Occupancy, High Trim: 100%, Sensitivity: High, Hold time: 20 min,Standby dim: 50%, Standby time: 1 min, Photocell: OFF, Linkage: OFF,Linkage level: 100%

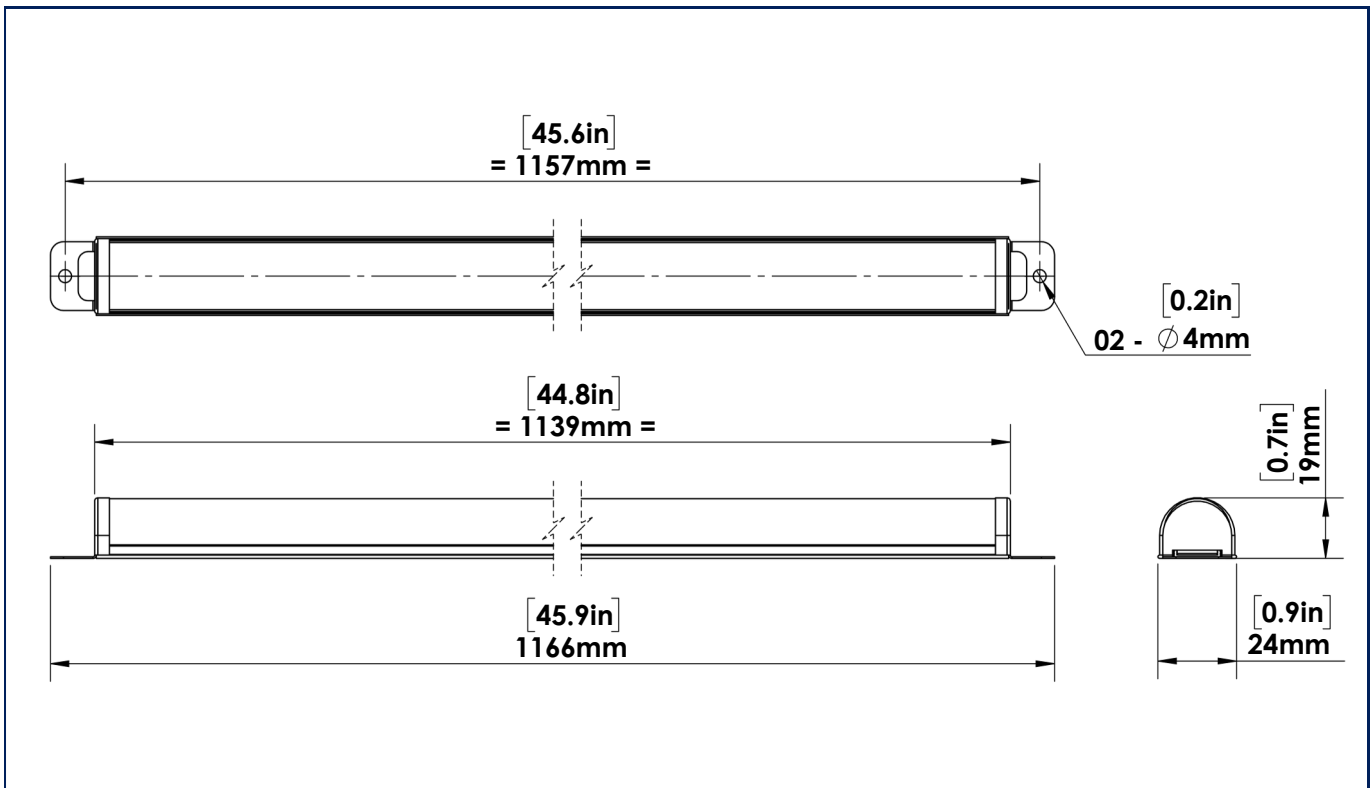
For instructions on programming the motion sensor remote control, please see the Installation Instructions.

## DIMENSIONS

### RFK-CT22



### RFK-CT14 / RFK-CT24



# PHOTOMETRIC PLOT

