

RAB

DESIGN

BLV520

The BLV520 series is a traditional acorn style fixture for use in parks, along walkways, roadways or areas where a distinctive nostalgic look is prevalent. The reflector is available in acrylic or polycarbonate for use in areas where breakage is a concern.

GLOBE

The standard BLV520 comes with a polycarbonate globe with a type III or V distribution. Acrylic is also available. There are also optional internal reflectors available. A perforated light reflector and a solid light reflector. All globes are attached to the fitter using a 1/4 turn retainer ring made of cast aluminum.

FITTER

The fitter is made of cast aluminum which is available to fit a 3" tenon or a 4" round pole.

BALLAST/SOCKET ASSEMBLY

The ballast and socket assembly comes with a quick disconnect. All ballasts are high power factor and are available as a Tri-Tap 120-277-347 and 120-208-240 CWI. Wattages are available as follows 70,100,150 High Pressure Sodium and 70,100,150,175 Metal Halide.

SOCKET

Mogul or medium base 4KV pulse-rated socket with a nickel-plated screw shell and a spring-loaded centre contact.



FINISH

Polyester powder coat finish. Standard colours are white, black, bronze and green. Custom colours are available upon request.

MOUNTING OPTIONS

The BLV520 series can be post top mounted or wall mounted with a decorative arm.



www.rabdesign.ca

Catalog Code

BLV520

70HPS 100HPS 150HPS
70MH 100MH 150MH 175MH

LAMP

120 277 347
208CWI 240CWI

VOLTAGE

R3 AC - TYPE III ACRYLIC
R5 AC - TYPE V ACRYLIC
R3 PC - TYPE III POLYCARBONATE
R5 PC - TYPE V POLYCARBONATE

LENS

LL - PERFORATED REFLECTOR
RD - SOLID REFLECTOR

LIGHT CONTROL

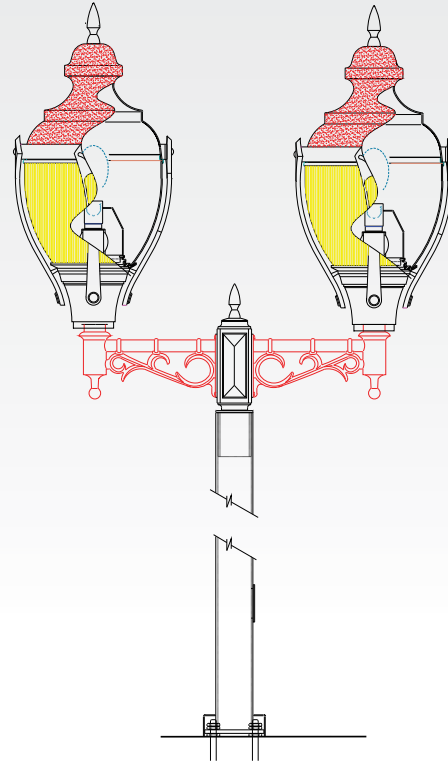
WH - WHITE BLK - BLACK
BRZ - BRONZE GRN - GREEN
CC - CUSTOM COLOUR

FINISH

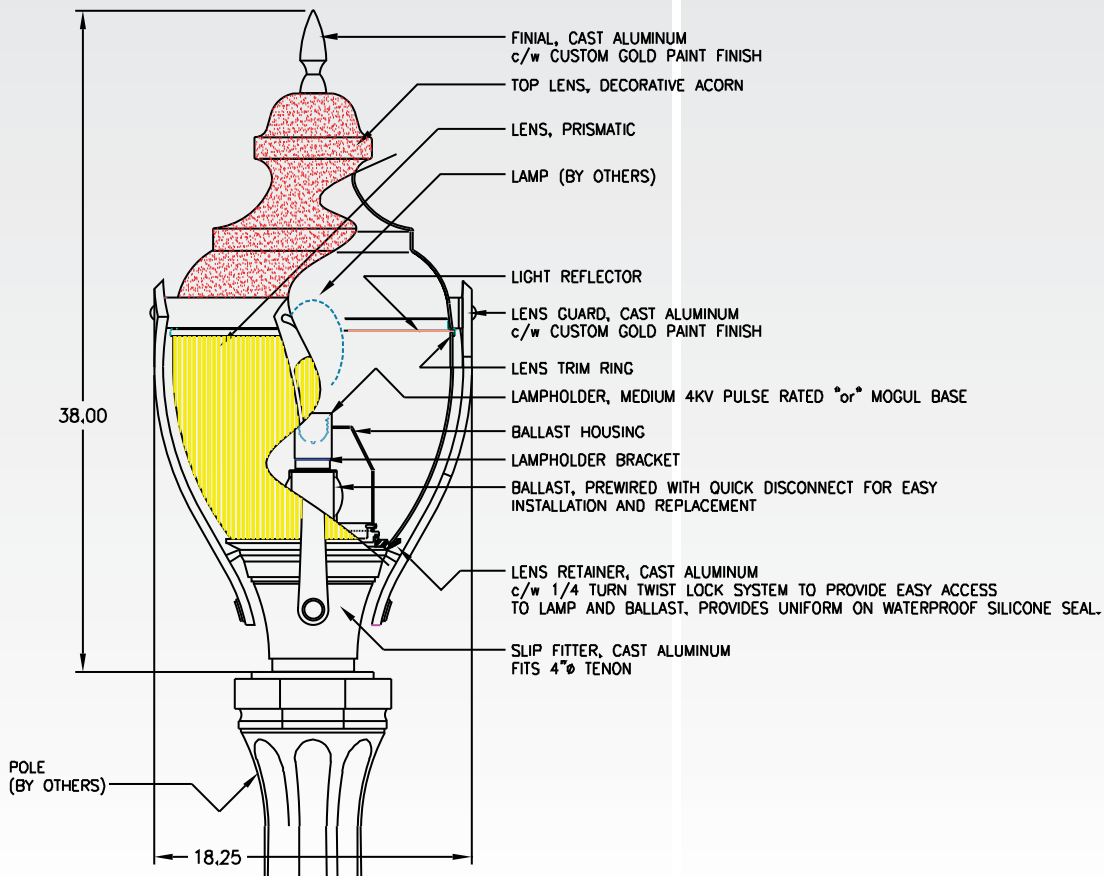
PC - PHOTOCELL

OPTIONS

RAB
DESIGN



Dimensions



www.rabdesign.ca