

# RAB

DESIGN

## BLV-P

*The BLV-P series is a traditional acorn style fixture for use in parks, along walkways, roadways or areas where a distinctive nostalgic look is prevalent. The reflector is frosted polycarbonate for use in areas where breakage is concern.*

### GLOBE

The BLV-P comes with a frosted polycarbonate globe. The BLV-P comes with an internal glass refractor available in type III and type V distribution. All globes are attached to the fitter using a 1/4 turn retainer ring made of cast aluminum.

### FITTER

The fitter is made of cast aluminum which is available to fit a 3" tenon or a 4" round pole.

### BALLAST/SOCKET ASSEMBLY

The ballast and socket assembly comes with a quick disconnect. All ballasts are high power factor and are available as a Tri-Tap 120-277-347 and 120-208-240 CWI. Wattage are available as follows 70,100,150 High Pressure Sodium and 70,100,150,175 Metal Halide.

### SOCKET

Mogul or medium base 4KV pulse-rated socket with a nickle-plated screw shell and a spring-loaded centre contact.



### FINISH

Polyester powder coat finish. Standard colours are white black bronze and green, custom colours are available upon request.

### MOUNTING OPTIONS

The BLV-P series can be post top mounted or wall mounted with a decorative arm.



## Catalog Code

**BLV-P**

70HPS 100HPS 150HPS  
70MH 100MH 150MH 175MH

LAMP

120, 277, 347  
208CWI, 240CWI

VOLTAGE

R3 - TYPE III  
R5 - TYPE V

GLASS REFRACTOR

WH - WHITE BLK - BLACK  
BRZ - BRONZE GRN - GREEN  
CC - CUSTOM COLOUR

FINISH

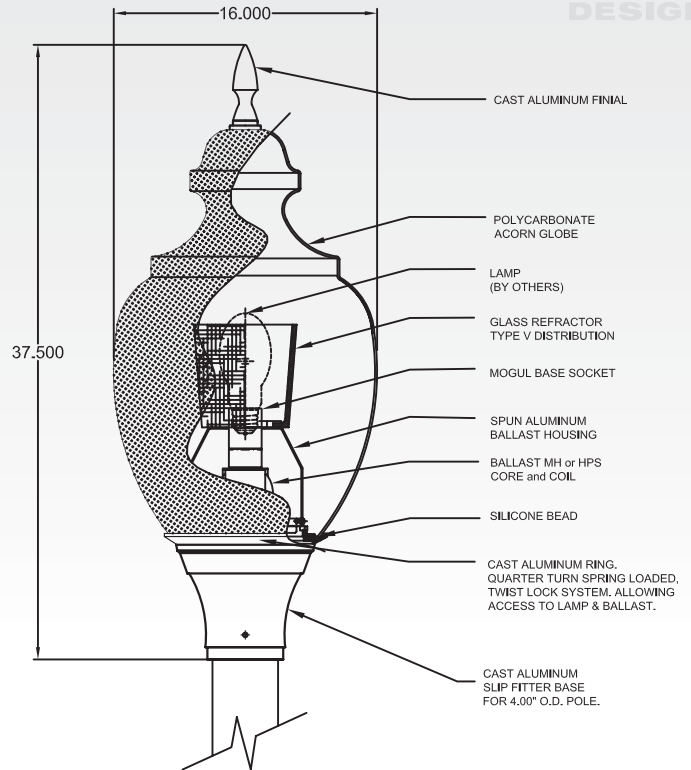
3 - SLIP FITS A 3" ROUND  
TENON OR POLE 4 - SLIP FITS  
A 4" ROUND POLE

TENON SIZE

PC - PHOTOCELL

OPTIONS

## Dimensions



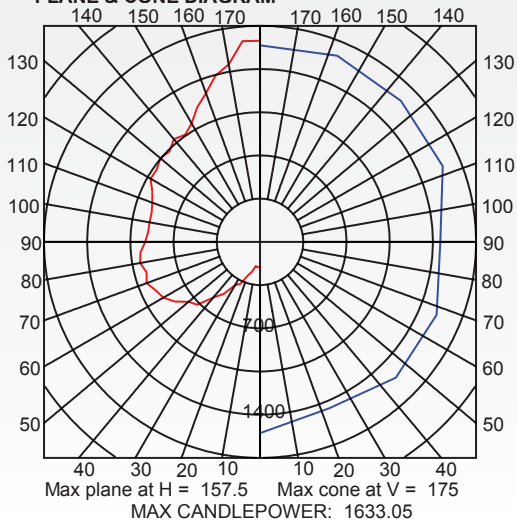
### CATALOG NUMBER: BLV-P-175MHR5

IESNA:LM-63-1995  
[MANUFAC] RAB DESIGN  
[LUMINAIRE] OUTDOOR POST TOP LUMINAIRE  
[LUMCAT] BLV-P-175MHR5  
[LAMP] 175W CLEAR MH

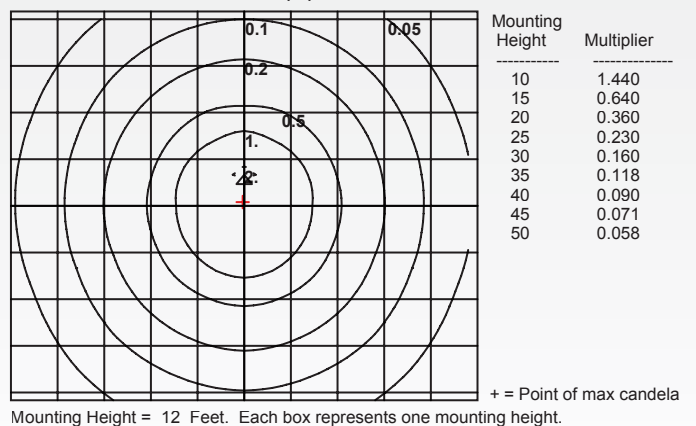
### SUMMARY DATA

EFFICIENCY (Total):	78.2 %
EFFICIENCY (Down / Up):	34.2 % / 44.1 %
EFFICIENCY (Street / House):	39.1 % / 39.2 %
LUMENS/LAMP:	14000
NO. OF LAMPS:	1
LUMINOUS OPENING:	RECTANGULAR
Width:	0.61 (Meters)
Length:	0.61
Height:	0.61
INPUT WATTS:	193

### PLANE & CONE DIAGRAM



### ISO-ILLUMINANCE DIAGRAM (fc)



[www.rabdesign.ca](http://www.rabdesign.ca)