



## 14" WALL MOUNTED CAST BASKET

*The 14" Basket has two distributions ( type III and V) with the use of a borisilicate refractor. The globe is available in acrylic or polycarbonate, in clear, white and bronze. Great for use on schools, shopping malls, recreational facilities and streetscapes. This series is also available in a 22" wall mount and 14", 22" post top mount.*

**BODY** Basket is made of cast aluminum and the down tube is made of extruded aluminum. Ballast is located in the down tube.

**ARM** Extruded aluminum with a cast aluminum wall plate.

**GLASS REFRACTOR** Borisilicate glass, available in types III and V.

**GLOBE** Available in seamless acrylic or polycarbonate. Globes are available in clear, bronze or white.

**BALLAST** High Pressure Sodium ballasts are available in 120, 120NPF, 120HPS and 347 volts. Metal Halide ballasts are Tri-Tap 120,277,347 volts. Available wattages are 50 and 70 watts.



**SOCKET** Medium base 4KV pulse-rated socket with a nickle-plated screw shell and a spring-loaded centre contact.

**LAMP** Not included

**MOUNTING** Wall mount

**FINISH** All units have a powder coat paint finish. Standard finishes are black, bronze or white. For custom finishes please consult factory.



## Catalog Code

CB14

L - POLYCARBONATE  
A - ACRYLIC

GLOBE TYPE

WH - WHITE CL- CLEAR  
BZ - BRONZE

GLOBE FINISH

50HPS, 70HPS\*,  
50MH\*, 70MH\*

WATTAGE

120NPF, 120HPS, 120, 277, 347

VOLTAGE

BK - BLACK  
BZ - BRONZE  
WH - WHITE  
CC - CUSTOM COLOUR

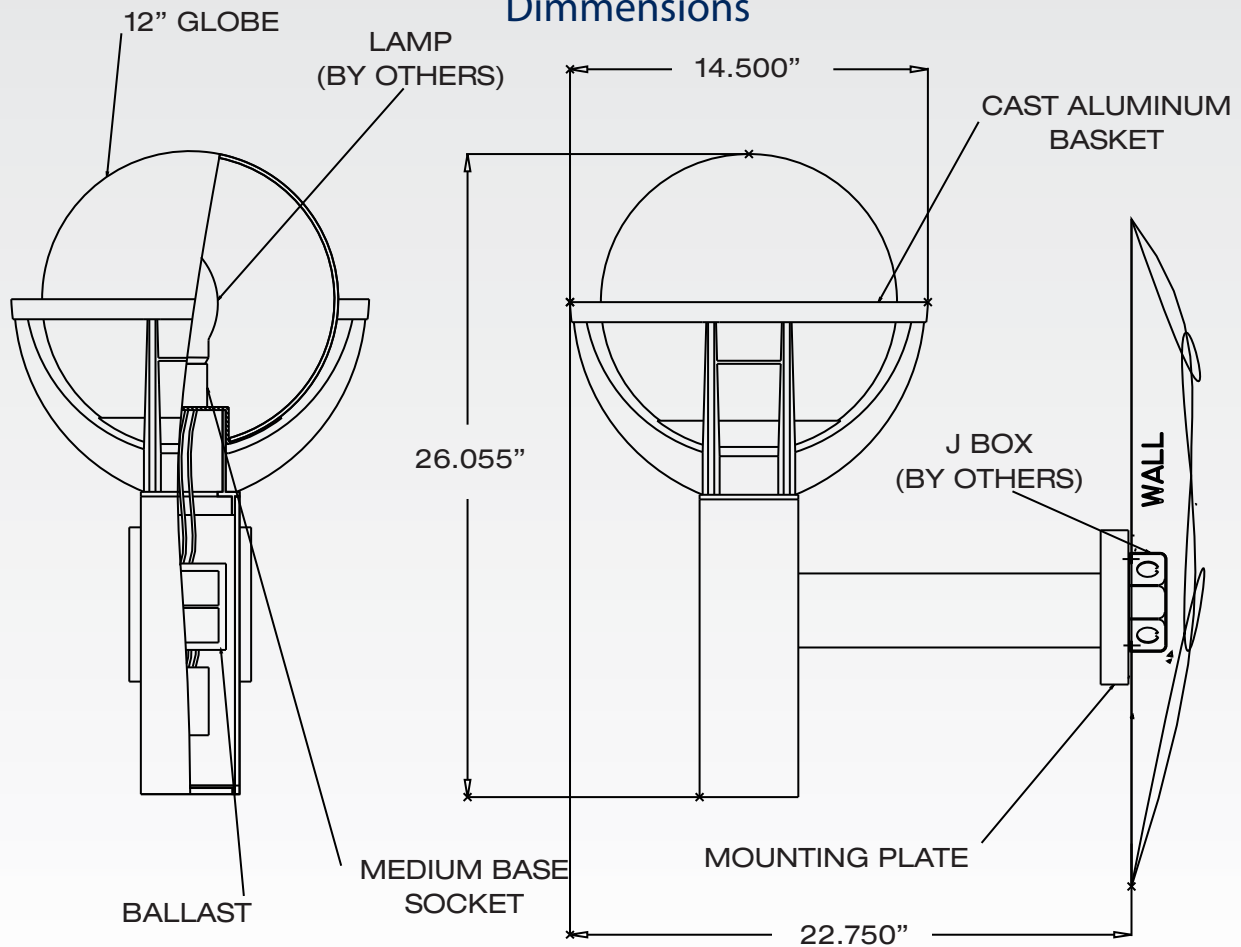
FITTER FINISH

\* WATTAGE REQUIRES A POLYCARBONATE GLOBE

# RAB

DESIGN

## Dimensions



[www.rabdesign.ca](http://www.rabdesign.ca)