



H SYSTEM FLOODS HB101 BULLET

The HB101 Bullet is a durable one piece die cast flood with a rugged mounting arm, weatherproof gasket and drainage holes. Accepts 150 watt PAR 38 maximum lamp. The HB101 Bullet has an assortment of interchangeable hoods, guards, and visors. The HB101 Bullet is ideal for use in both commercial and residential lighting for landscape and highlighting architectural features. The HB101 can also be used with any of our outdoor sensors.

HOUSING Rugged die cast aluminum housing. Housing is designed so that the lamp is recessed 1" from the lip for side glare reduction. The housing also has a set screw for hood, grill or visor attachment. Housing has a powder coat paint finish.

MOUNTING ARM Heavy duty mounting arm with internal O-ring, locking teeth, and stainless steel screw. EZ grip locknut matches fixture finish and can be adjusted with fingers, pliers or a screwdriver.

SOCKET Medium base, Porcelain socket with a large silicone rubber gasket that provides weatherproof protection around the lamp and socket.



LAMP Maximum wattage 150 watt PAR38. Lamp not included.

FINISH Powder coat paint finish available in White, Charcoal, Bronze and Verde Green.

OPTIONS The following options are ordered and shipped separately. Hood, Guard and Visor. The above options are available in matching colours.

Catalog Code

HB101

- A - BRONZE
B - BLACK
W - WHITE
VG - VERDE GREEN

FINISH

RAB
DESIGN



Options Ordered Separately

Visor



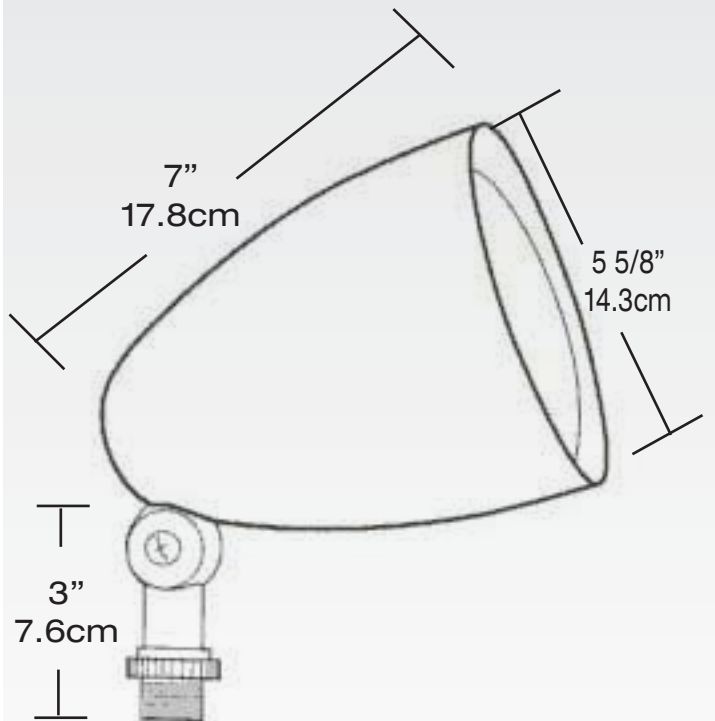
Hood



Guard



Dimensions



www.rabdesign.ca