



LF20 PAR20 FLOOD

The LF20 is a durable enclosed die cast flood with a rugged mounting arm, weatherproof gasket and drainage holes.

Accepts 50 watt PAR 20 maximum lamp.

The LF20 is ideal for use in both commercial and residential lighting for landscape and highlighting architectural features. The LF20 can also be used with any of our outdoor sensors.

HOUSING Rugged die cast aluminum housing. Housing has a powder coat paint finish.

LENS FRAME Die cast aluminum held in place with four brass screws. Lens is made of clear tempered glass. Glass has a silicone gasket.

MOUNTING ARM Heavy duty mounting arm with internal O-ring, locking teeth, and stainless steel screw. EZ grip locknut matches fixture finish and can be adjusted with fingers, pliers or a screwdriver.

SOCKET Medium base, Porcelain socket.



LAMP Maximum wattage 50 watt PAR20. Lamp not included.

FINISH Powder coat paint finish available in White, Charcoal, Bronze and Verde Green.

Catalog Code

LF20

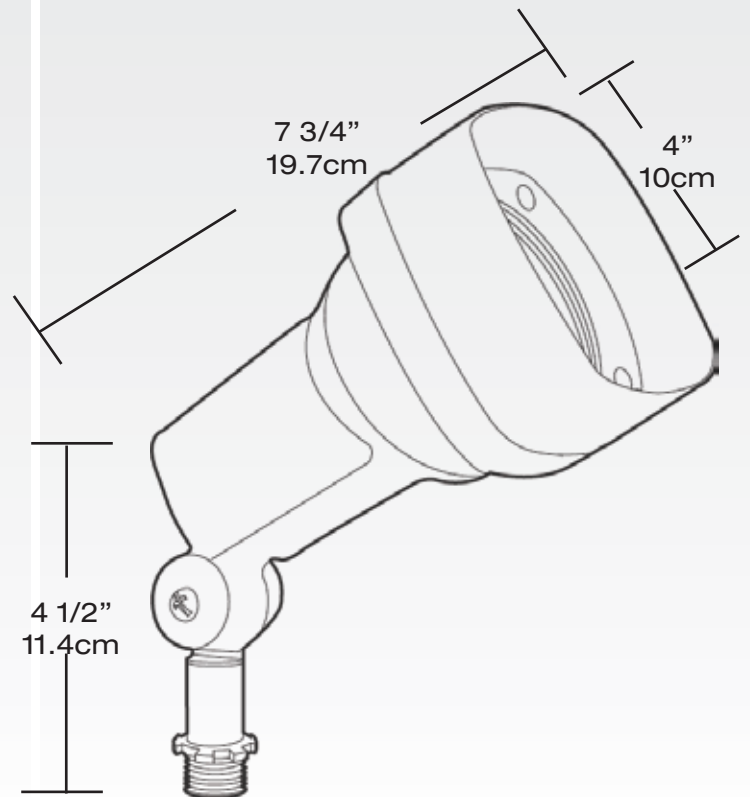
A - BRONZE
B - BLACK
W - WHITE
VG - VERDE GREEN

FINISH

RAB
DESIGN



Dimensions



www.rabdesign.ca