



LFP38 PAR38 HOLDER

The PAR38 flood is a durable die cast flood with large, molded high temperature black silicone gasket that protects the socket and base of the lamp from moisture. 150 watts maximum in a PAR38 or PAR20. The LFP38 is Ideal for use in both commercial and residential lighting for landscape and highlighting architectural features. The LFP can also be used with any of our outdoor sensors.

HOUSING Rugged die cast aluminum housing. Housing has a powder coat paint finish.

GASKET High temperature black silicone gasket that seals around the base of the lamp.

MOUNTING ARM Heavy duty mounting arm with internal O-ring, locking teeth, and stainless steel screw. EZ grip locknut matches fixture finish and can be adjusted with fingers, pliers or a screwdriver.

SOCKET Medium base, Porcelain socket.

LAMP Maximum wattage 150 watt PAR38 or PAR20. Lamp not included.

FINISH Powder coat paint finish available in White, Charcoal, Bronze and Verde Green.



SHOWN WITH PAR20 LAMP



SHOWN WITH PAR38 LAMP



Catalog Code

LFP38

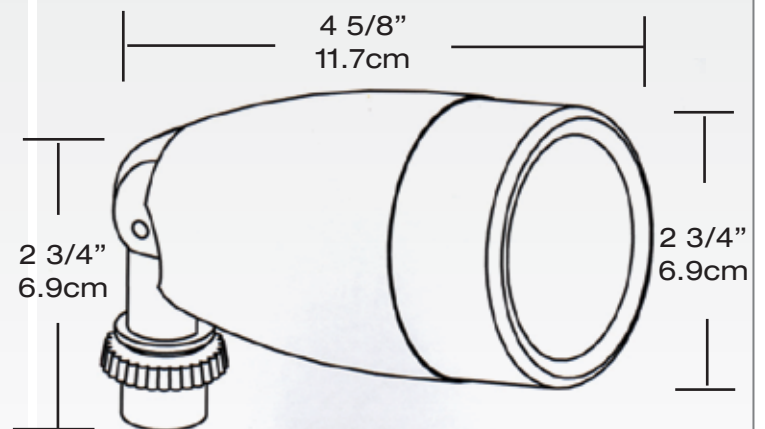
A - BRONZE
B - BLACK
W - WHITE
VG - VERDE GREEN

FINISH

RAB
DESIGN



Dimensions



www.rabdesign.ca