



## LL33 WITH SPIKE AND RECEPTACLE

*The LL series of pagoda garden fixtures have a classic look and are designed to withstand the Canadian environment. All LL series are cast units. The LL33 is ideal for daisy chaining together with its 8' cord with a grounded plug on one side and a receptacle on the other side. The LL33 has a 10" top and 3 smaller tiers with a clear glass globe. Maximum wattage 100 incandescent.*

**TIERS** Precision die cast with a powder coat paint finish.

**BOTTOM FITTER** Precision die cast with internal threads for holding glass globe. Bottom of fitter is threaded for 1/2" NPS pipe. Tiers are mounted to bottom fitter with stainless set screws. Bottom fitter has a powder coat paint finish.

**GLASS** Clear glass with threading. Replacement glass is GL100.

**SOCKET** Medium base 4KV pulse-rated socket with a nickle-plated screw shell and a spring-loaded centre contact.

**ELECTRICAL RECEPTACLE** Precision die cast with a grounded receptacle on one side with cover and an 8' cord on the other side with a grounded plug. Cord is rated for outdoor use. Electrical receptacle has a powder coat paint finish.



**SPIKE** Precision die cast with a powder coat paint finish.

**HARDWARE** All external hardware is stainless steel.

**FINISH** Standard finishes are black and green. Custom colours are available, please consult factory.

**LAMP** Lamp not included.



[www.rabdesign.ca](http://www.rabdesign.ca)

## Catalog Code

LL33

L - GREEN  
B - BLACK  
CC - CUSTOM COLOUR

FINISH

LAMP NOT INCLUDED

RAB  
DESIGN



## Dimensions

BOSS IN LOUVER WHICH CONTAINS THE HEAD OF A 5 1/2" LONG SCREW (THE SCREW PASSES THROUGH THE LOUVERS AND THREADS INTO THE SOCKET CASTING) (THERE ARE 3 OF THESE SCREWS LOCATED 120° APART)

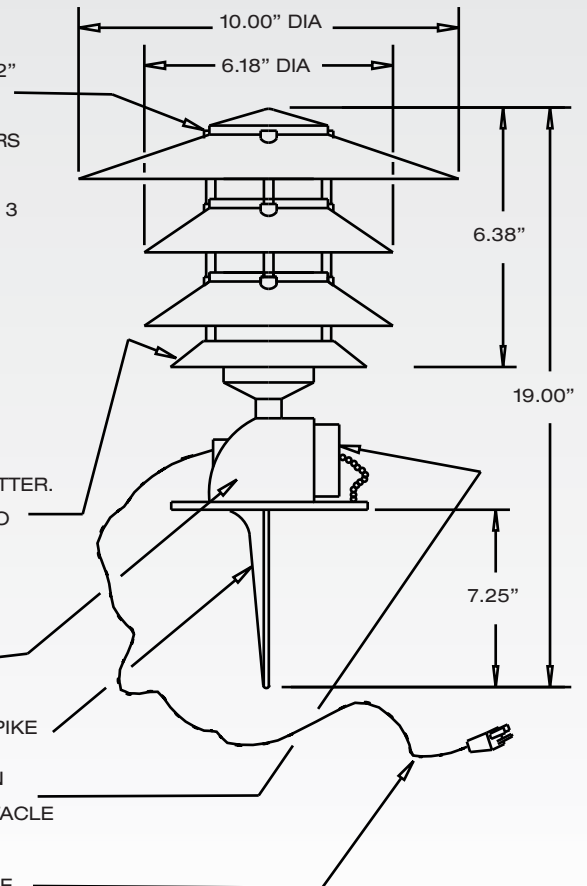
GASKETED CAST BOTTOM FITTER. GLASS GLOBE THREADS INTO THE BOTTOM FITTER

DIE CAST ELECTRICAL RECEPTACLE

DIE CAST SPIKE

RUBBER PLUG ON A CHAIN (PROTECTS 9 AMP RECEPTACLE OUTLET)

FIXTURE COMES WITH 8 FEET OF CABLE AND GROUNDED PLUG



[www.rabdesign.ca](http://www.rabdesign.ca)