



QB1 QUARTZ BULLET FLOOD

The QB1 75 watt quartz bullet flood has a hood which can be rotated to minimize side glare. The QB1 is ideal for use on houses, barns, small commercial properties and cottages. For outdoor use only.

HOUSING Precision die-cast aluminum housing. Housing has internal and external heat dissipating fins for cooler operation. Housing has a powder coat paint finish.

REFLECTOR Semi-specular anodized aluminum.

HOOD Integral hood glare shield minimizes side glare and hood can be rotated to direct light where you need it. Hood has a powder coat paint finish.

LENS Thick, tempered glass lens with one piece molded silicone gasket.

LENS GASKET High temperature silicone gasket stays in place when relamping.

LAMP All units come complete with a 75 watt T-4 bi-pin (GY8.0) quartz lamp. Lamp packed with protective cushion for easy installation.

ARM Arm with locking teeth tightens securely with just finger pressure. Arm has a powder coat paint finish.



SOCKET Porcelain bi-pin GY 8 base with gold plated contacts and 250°C socket wires.

MOUNTING 1/2" threaded NPS arm with lock nut. Fits all standard mounting plates.

FINISH Standard colours are bronze, white, black and verde green.

Catalog Code

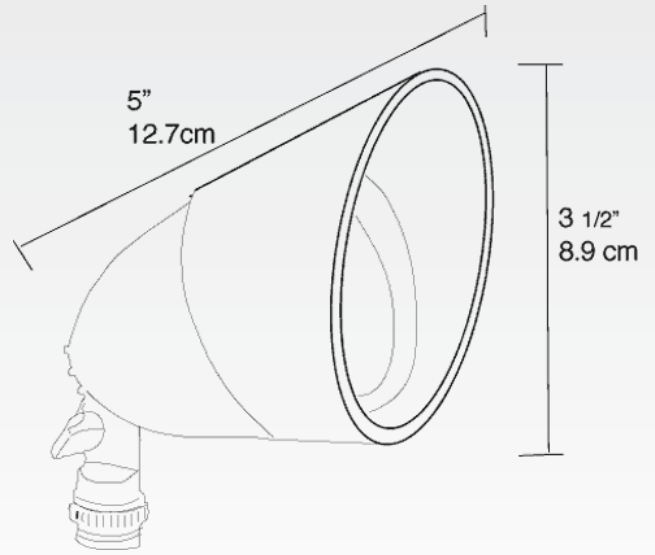
QB1

FINISH

BRZ - BRONZE
W - WHITE
B - BLACK
VG - VERDE GREEN

Dimensions

RAB
DESIGN



0411