

The CLB-LED14 is a high efficiency multi-purpose ceiling light with a low profile that replaces a comparable 70W MH fixture.



APPLICATIONS

Ideal for low ceiling spaces such as small sized utility rooms, service areas, entrances, stairwells, mandors and outdoor walkways.

Project	
Type	
Date	
Notes	

SPECIFICATIONS

Construction

The CLB-LED-14W is made from die cast aluminum housing with a clear polycarbonate lens. The unit has air flow openings around its perimeter for efficient heat sinking. A frosted lens is also available as a no cost option for a softer light effect. The fixture has three conduit entries, one on either side and one on the back in the center.

Mounting

The fixture is ceiling mounted and can be directly mounted on to standard junction boxes. There is a hanging hook assembly that allows easy installation. Once the base is installed to the ceiling, the fixture is attached using the quick hanging hook which frees up both hands while making connections

LED Configuration

Each fixture contains one high efficiency Chip on Board (COB) that delivers a total lumen output of over 1,640 lumens at an efficacy of minimum 100 lumens/watt.

Electrical

Total system wattage of the unit is 16W. The standard unit has a high efficiency driver that operates at 120 - 277V.

Finish

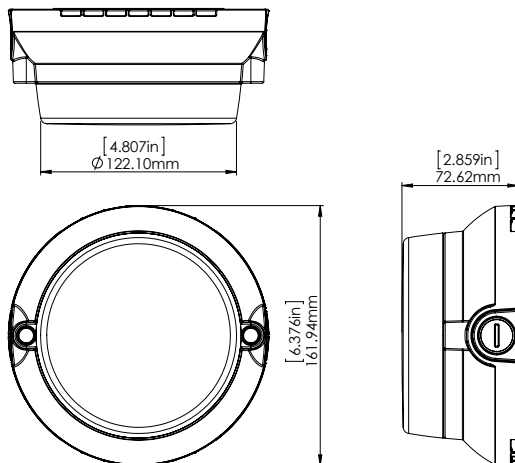
Bronze or white finish is standard. Custom colours available.

Accessories

Frosted lens available as a no cost option.

Fixture Watts	16W
Lumens	min 1,640
Efficacy	min 100 lumens/watt
Rated Life	100,000 hours
Certification	cULus
LED Life	100,000 hours
Colour Temperature	5000K (standard), 4000K (option) 3000K (option)
Warranty	5 Years
Operating temperature	-40°C to +40°C

DIMENSIONS



Shown with a
White Finish



Shown with a
Frosted Lens



INSTALLATION INFORMATION

1. Separate mounting bracket from fixture by removing the screw. Attach mounting bracket to the junction box.



2. Rest fixture onto hinges and connect wires



3. Reattach fixture to the mounting bracket



ORDERING GUIDE

CLB	-	LED14	-		-		-	
				VOLTAGE		COLOUR TEMP		FINISH
				B - 120 - 277V*		5K - 5000K* 4K - 4000K 3K - 3000K		BRZ - BRONZE* CC - CUSTOM COLOUR
								FR - FROSTED LENS* CL - CLEAR LENS

* Standard configuration