



DVCSX-LED14

Pendant Mount LED Vapourproof



SPECIFICATIONS*

Watts	14W
Lumens	1585
Efficacy	111
Replaces Up To	100W Incandescent / 36W CFL Vapourproof fixture
Colour Temp	5000K*, 4000K, 3000K
Certification	ETL, DLC
Operating Temp	-40°C to 40°C
Voltage	120-277V
LED Life	50,000 hours
Housing Material	Aluminum
Lens Material	Polycarbonate
Power Factor	0.991
CRI	84
THD	10.8%

*Standard



DESCRIPTION

The DVCSX-LED14 is a versatile fixture that can be used in industrial and architectural applications. The fixture is available in custom colours and has a variety of globe and guard accessories. Not for use in hazardous locations.

APPLICATIONS



Entrances



Stairwells



Tunnels



Service Areas



Restaurants



Elevator
Shafts

FEATURES

- Sleek, modern look with the same ruggedness as the original DVCS fixture.
- Polycarbonate lens can be easily replaced with glass globe and guard to provide a different look.
- Precision die cast aluminum housing with powder coat paint finish for industrial and architectural applications.
- Grey polyester powder coat paint finish for protection against oxidization.

ACCESSORIES

RAB Design carries a diverse line of durable and cost efficient glass globes. They come in various finishes, which include impregnated colours.

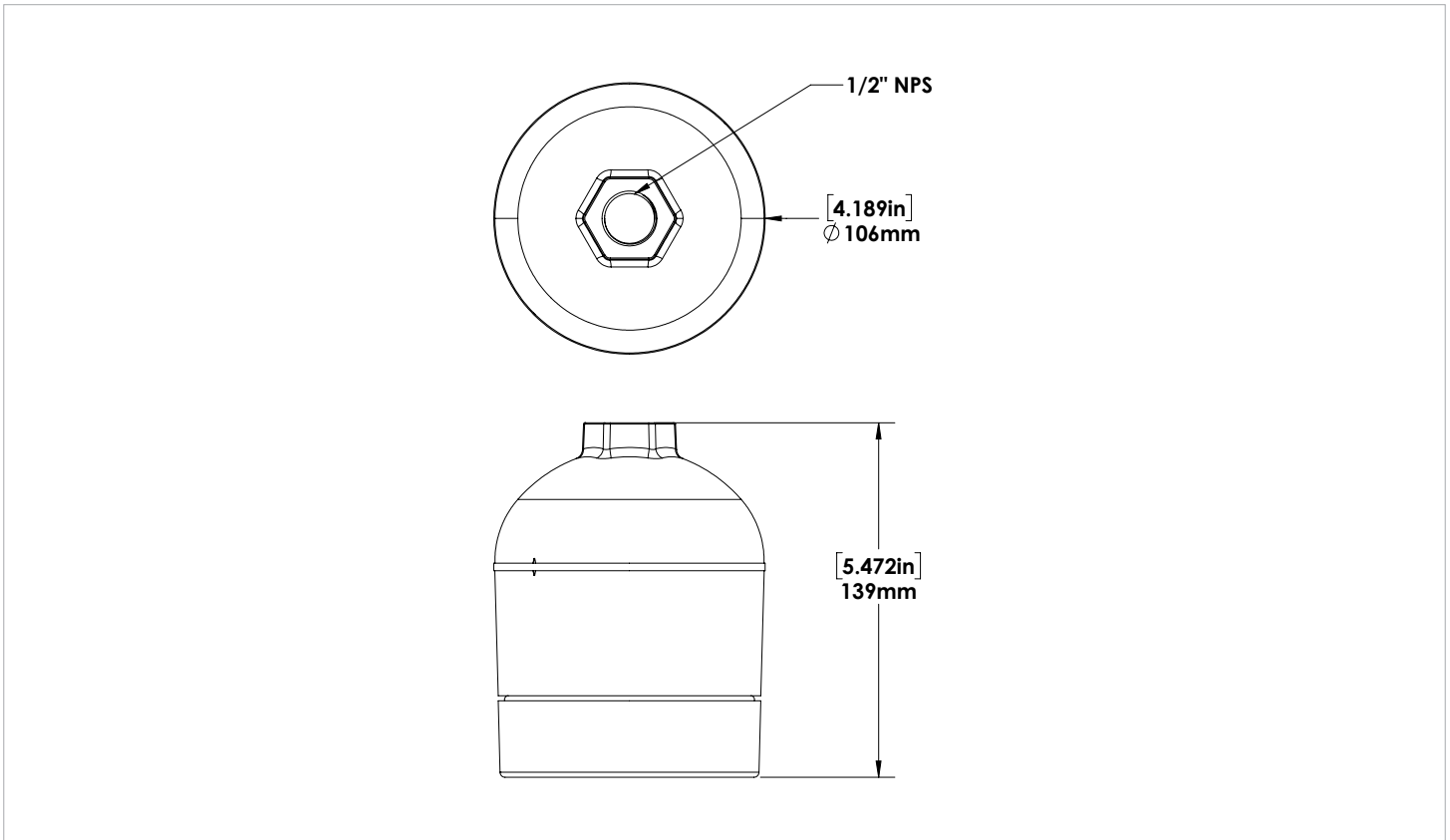
GLASS GLOBES OPTIONS (SOLD SEPARATELY)



GD100CGS CAST GUARD (SOLD SEPARATELY)

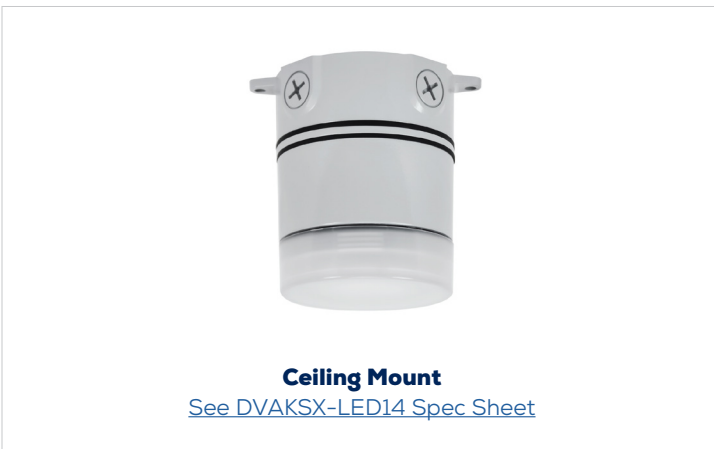


DIMENSIONS



MOUNTING OPTIONS

This fixture series is also available in **ceiling mount** or **wall mount**.



ORDERING GUIDE

DVCSX	LED14				
WATTS	VOLTAGE	COLOUR TEMP.	FINISH	FR	
	B - 120 - 277V	5K - 5000K*	DGY - DOVE GREY*	FR - FROSTED LENS	
		4K - 4000K	CC - CUSTOM		
		3K - 3000K			

*Standard Configuration

FIELD INSTALLED ACCESSORIES:

CHECK THE ACCESSORIES YOU WISH TO ORDER:

