

The SWP-LED is a durable wall light for outdoor use with a slim profile that extends less than 3.5" from the wall.



APPLICATIONS

Ideal for facility entrances & exits, building perimeters, storage facilities and loading docks.

Project	
Type	
Date	
Notes	

SPECIFICATIONS

Construction

Durable polycarbonate housing with aluminum back plate.

LED Configuration

The fixture delivers a total lumen output of 1,533 lumens at an efficacy of 101 lumens/watt. This serves as an ideal replacement for a 70W MH fixture. LEDs have a colour temperature of 5000K as standard.

Electrical

Total system wattage of the unit is 15W. The standard unit has a high efficiency driver that operates at 120V.

Photocell

Photocell is included.

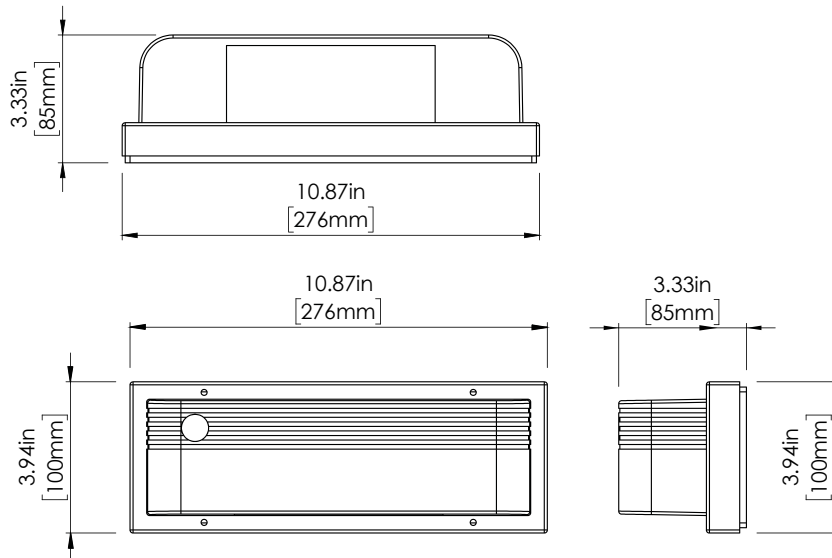
Finish

Standard finish is bronze.

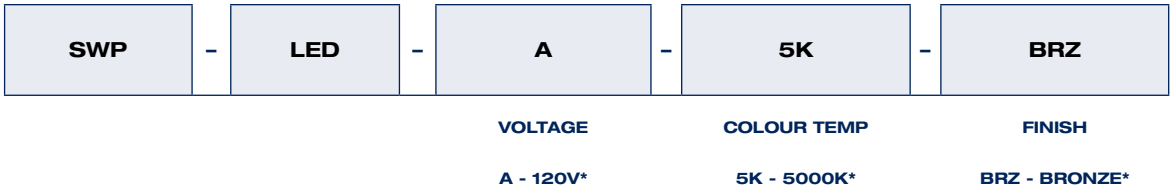
Fixture Watts	15W
Lumens	1,533
Efficacy	101 lumens/watt

Rated Life	100,000 hours
Certification	DLC
Colour Temperature	5,000K
Warranty	5 Years
Operating temperature	-40° C to +40° C

DIMENSIONS



ORDERING GUIDE



* Standard configuration