



# XBAR1-LED

## LED Area Light



SPECIFICATIONS*	XBAR1-LED35	XBAR1-LED75
Watts	31	75
Lumens	3675	9138
Efficacy lm/W	117.8	121.4
Replaces Up To	70-100W MH	150-175W MH
Colour Temp	Colour Selectable - 3000K, 4000K, 5000K	
Operating Temp	-40°C to +50°C	
Voltage	120-277V , 347V	
Certification	cULus, IP65 , DLC Premium	
Housing Material	Die Cast Aluminum	
Lens	Clear Polycarbonate Lens	
Power Factor	0.9	
Mounting	post top - fits a 3" tenon	
THD	15%	
CRI	80	



## DESCRIPTION

The XBAR-LED Series is a slim, round post top area light with a colour selectable switch allowing you to choose a colour temperature of 3000K, 4000K or 5000K.

## APPLICATIONS



Parking  
Lots



Area  
Lighting

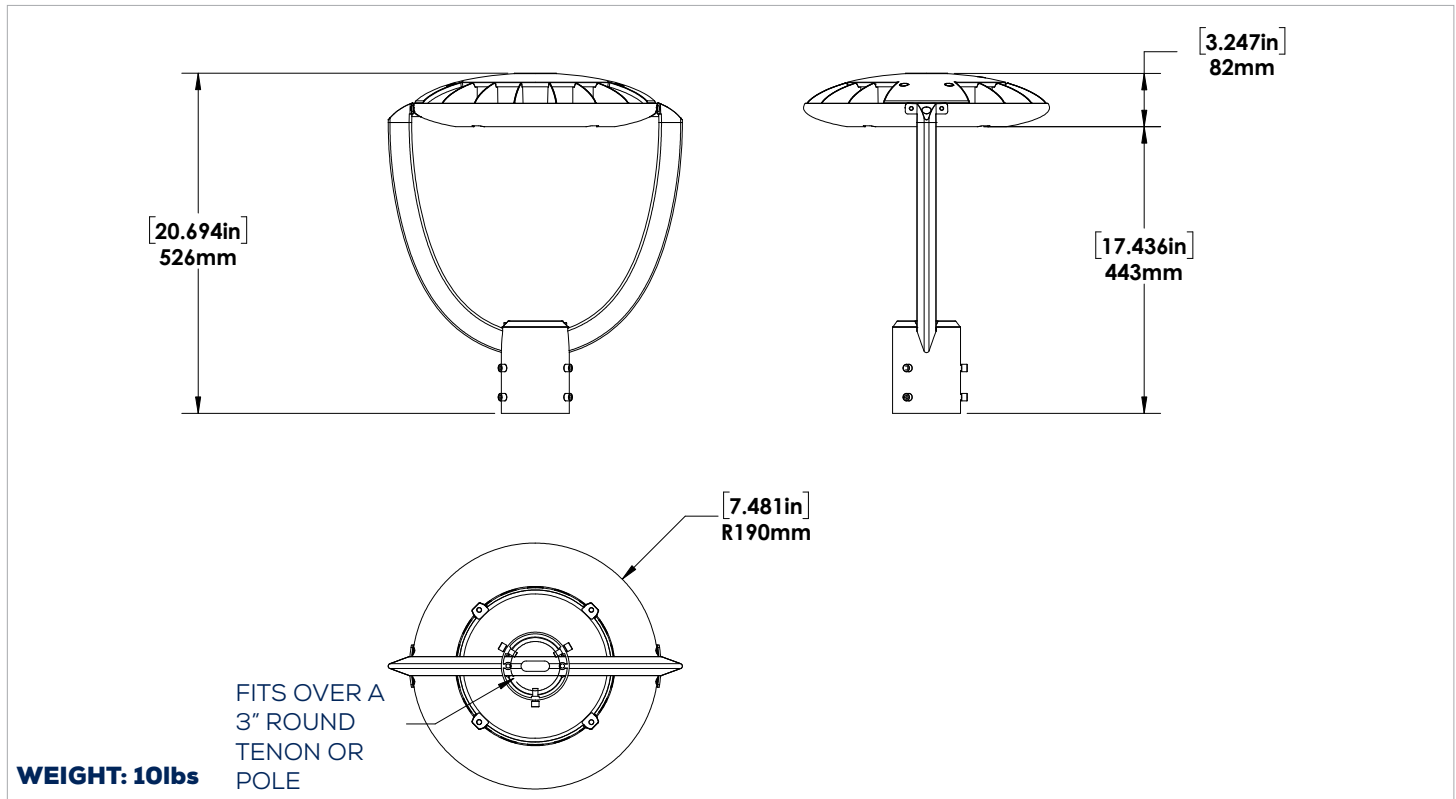


Commercial  
Plaza

## FEATURES

- Colour selectable fixture that gives you the flexibility to choose between 3000K, 4000K or 5000K CCT during installation
- Unit has a switch inside the housing that is set at a default CCT of 4000K that can be adjusted if needed.
- Ruggedly designed with die cast aluminum housing and polycarbonate lens.
- Fixture has been designed to fold neatly to minimize packaging footprint.
- Optional twist lock photocell

**DIMENSIONS - XBAR 1**



**SURGE PROTECTION & AMPERAGE DRAW**

	CURRENT (A)					SURGE PROTECTION (KV)	
	120V	208V	240V	277V	347V	120-277V	347V
XBAR1-LED35	0.31A	0.18A	0.16A	0.14A	0.11A	2kV	2kV
XBAR1-LED75	0.66A	0.38A	0.33A	0.29A	0.23A	10kV	10kV

**LUMEN MAINTENANCE**

Hours	50,000	75,000	100,000
XBAR1-LED35	90%	88%	81%
XBAR1-LED75	90%	88%	81%

**EPA**

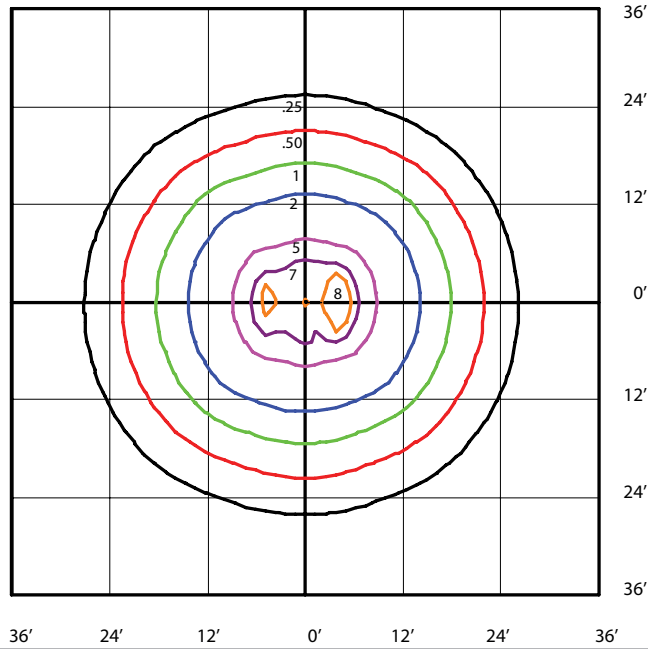
	0° Tilt
XBAR1	1.07

**COMPACT FOLDING DESIGN FOR REDUCED PACKAGING FOOTPRINT**

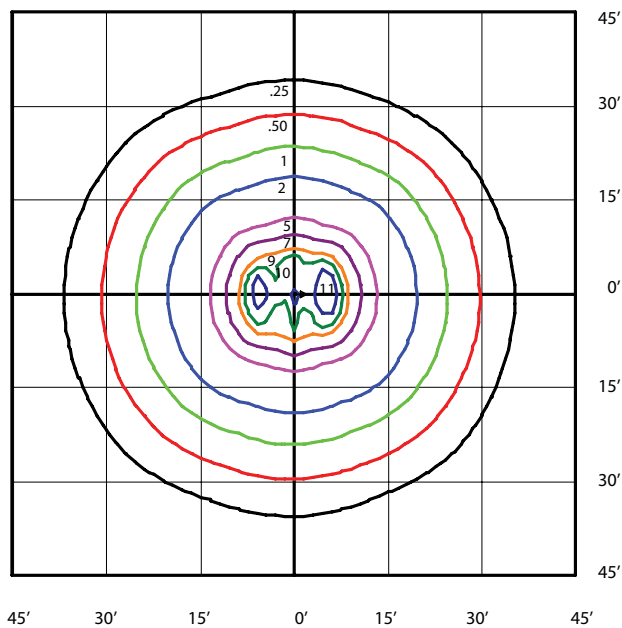


**PHOTOMETRICS**

**XBAR1-LED35-B-4K-90DEG-BLK-DIM-PCL  
MOUNTED AT 12 FEET**



**XBAR1-LED75-B-4K-90DEG-BLK-DIM-PCL  
MOUNTED AT 15 FEET**



## SPECIFICATIONS

MODEL DESCRIPTION	VOLTAGE (V)	INPUT POWER (W)	LIGHT OUTPUT	EFFICACY (Lm/W)	THD	PF	CCT (K)	CRI
XBAR1-LED35-B-VK-90DEG-XXX-DIM-PCL	120-277	31	3675	117.8	15.0	0.900	3000/4000/5000	80.0
XBAR1-LED75-B-VK-90DEG-XXX-DIM-PCL	120-277	75	9138	121.4	15.0	0.900	3000/4000/5000	80.0
XBAR1-LED35-C-VK-90DEG-XXX-DIM-PCL	347	35	4314	123.1	15.0	0.900	3000/4000/5000	80.0
XBAR1-LED75-C-VK-90DEG-XXX-DIM-PCL	347	77	9611	124.2	15.0	0.900	3000/4000/5000	80.0

### LEGEND

B - 120V-277V, C-347V

VK - Variable colour temp (3000K, 4000K, 5000K) Factory set to 4000K

90DEG - 90° Beam Distribution

XXX - HOUSING FINISH

DIM - 0-10V Dimming

PCL - Polycarbonate lens

## ORDERING GUIDE

<b>XBAR1</b>			<b>VK</b>	<b>90DEG</b>		<b>DIM</b>		<b>PCL</b>
WATTS	VOLTAGE	COLOUR TEMP.	OPTICS	FINISH	DIM	CONTROLS	LENS	
LED35	B - 120 - 277V*	VK - VARIABLE COLOUR TEMP (3K/4K/5K) Factory set to 4000K	90DEG-90 DEGREE*	BLK- MATTE BLACK* CC- CUSTOM FINISH	DIM - 0-10V DIMMING*	PC - DUSK TO DAWN ON/OFF PHOTOCELL 7PIN- 7PIN SOCKET FOR SMART CONTROL SYSTEMS	PCL - POLYCARBONATE LENS*	

\*Standard Configuration.