



XBAR2-LED

LED Area Light



SPECIFICATIONS*	XBAR2-LED100	XBAR2-LED150
Watts	101	154
Lumens	12523	18686
Efficacy lm/W	124	121.7
Replaces Up To	250W MH	400W MH
Colour Temp	4000K (standard), 5000K (option)	
Operating Temp	-40°C to +50°C	
Voltage	120-277V , 347V	
Certification	cULus, IP65 , DLC Premium	
Housing Material	Die Cast Aluminum	
Lens	Clear Polycarbonate Lens	
Power Factor	>0.9	
Mounting	post top - fits a 3" tenon	
THD	15%	
CRI	>80	



DESCRIPTION

The XBAR-LED Series is a slim, round post top area light with a rugged design, available in 4000K and 5000K ideal for parking lots, commercial plazas, and general area lighting.

APPLICATIONS



Parking
Lots



Area
Lighting

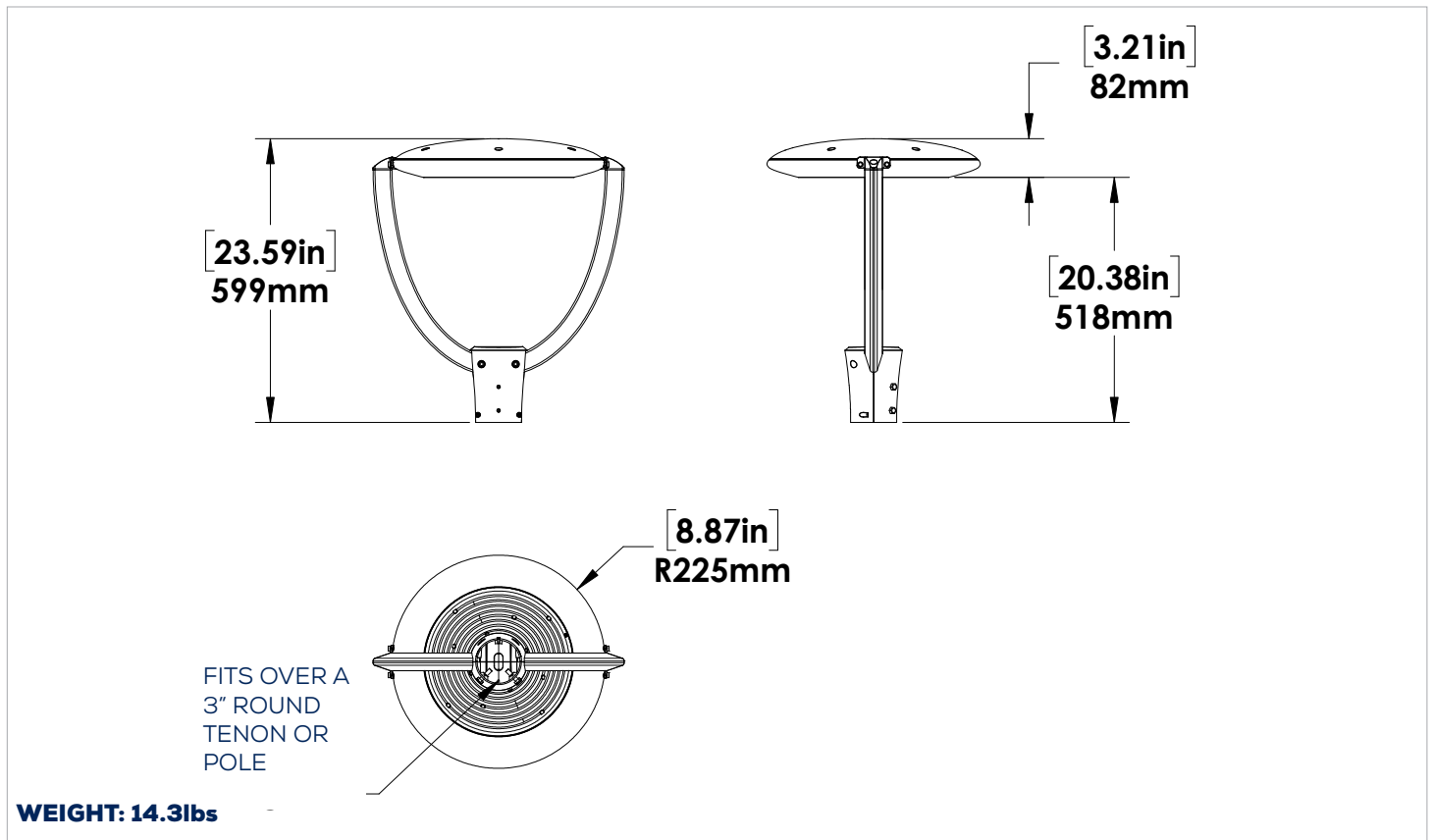


Commercial
Plaza

FEATURES

- Ruggedly designed with die cast aluminum housing and polycarbonate lens.
- Fixture has been designed to fold neatly to minimize packaging footprint.
- Optional twist lock photocell
- High efficacy fixtures at over 120 lumens per watt.
- Replaces 250W and 400W MH post top fixtures.

DIMENSIONS - XBAR2



SURGE PROTECTION & AMPERAGE DRAW

	CURRENT (A)					SURGE PROTECTION (KV)	
	120V	208V	240V	277V	347V	120-277V	347V
XBAR2-LED100	0.88A	0.51A	0.44A	0.38A	0.31A	10kV	10kV
XBAR2-LED150	1.32A	0.76A	0.66A	0.57A	0.46A	10kV	10kV

LUMEN MAINTENANCE			
Hours	50,000	75,000	100,000
XBAR2-LED100	90%	88%	81%
XBAR2-LED150	90%	88%	81%

EPA	
	0° Tilt
XBAR2	1.29

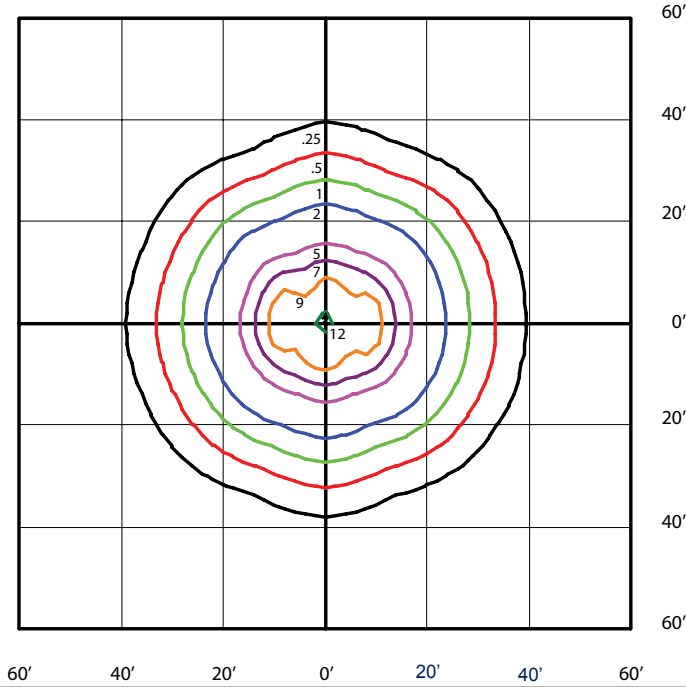
COMPACT FOLDING DESIGN FOR REDUCED PACKAGING FOOTPRINT



PHOTOMETRICS

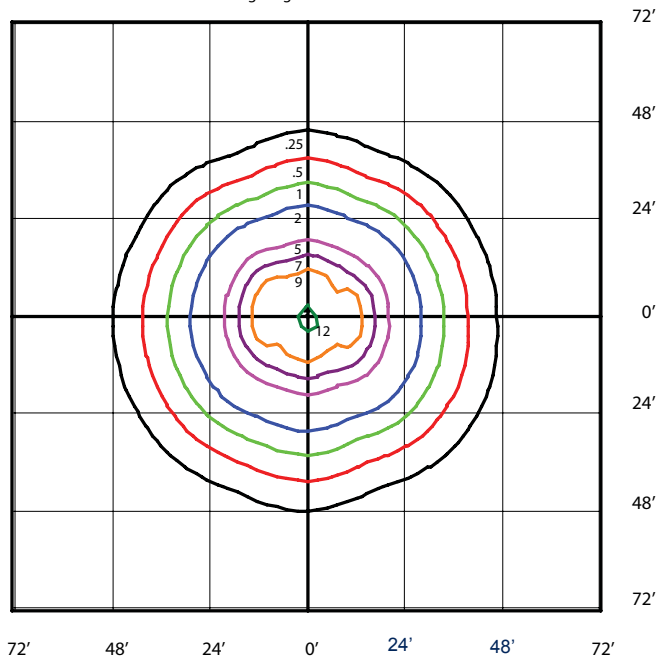
**XBAR2-LED100-B-4K-90DEG-BLK-DIM-PCL
MOUNTED AT 20 FEET**

Total Lumens 12522.7 Mounting Height 20 Feet Maximum Calculated Value 13.17 FC



**XBAR2-LED150-B-4K-90DEG-BLK-DIM-PCL
MOUNTED AT 24 FEET**

Total Lumens 18686.3 Mounting Height 24 Feet Maximum Calculated Value 13.47 FC



SPECIFICATIONS

MODEL DESCRIPTION	VOLTAGE (V)	INPUT POWER (W)	LIGHT OUTPUT	EFFICACY (Lm/W)	THD	PF	CCT (K)	CRI
XBAR2-LED100-B-4K-90DEG-XXX-DIM-PCL	120-277	101	12523	124.4	15.0	0.900	4000	80.0
XBAR2-LED100-B-5K-90DEG-XXX-DIM-PCL	120-277	101	12707	125.8	15.0	0.900	5000	80.0
XBAR2-LED150-B-4K-90DEG-XXX-DIM-PCL	120-277	154	18686	121.7	15.0	0.900	4000	80.0
XBAR2-LED150-B-5K-90DEG-XXX-DIM-PCL	120-277	154	18938	123.2	15.0	0.900	5000	80.0
XBAR2-LED100-C-4K-90DEG-XXX-DIM-PCL	347	97	12445	128.4	15.0	0.900	4000	80.0
XBAR2-LED100-C-5K-90DEG-XXX-DIM-PCL	347	97	12688	130.2	15.0	0.900	5000	80.0
XBAR2-LED150-C-4K-90DEG-XXX-DIM-PCL	347	147	18351	125.2	15.0	0.900	4000	80.0
XBAR2-LED150-C-5K-90DEG-XXX-DIM-PCL	347	147	18642	126.9	15.0	0.900	5000	80.0

LEGEND

- B - 120V-277V, C-347V
- 4K - 4000K, 5K - 5000K
- 90DEG - 90° Beam distribution
- XXX - HOUSING FINISH
- DIM - 0-10V Dimming
- PCL - Polycarbonate lens

ORDERING GUIDE

XBAR2			90DEG		DIM		PCL
WATTS	VOLTAGE	COLOUR TEMP.	OPTICS	FINISH	DIM	CONTROLS	LENS
LED100	B - 120 - 277V*	4K-4000K*	90DEG-90 DEGREE*	BLK- MATTE BLACK*	DIM - 0-10V DIMMING*	PC - DUSK TO DAWN ON/OFF PHOTOCELL	PCL - POLYCARBONATE LENS*
LED150	C-347V	5K -5000K		CC- CUSTOM FINISH		7PIN- 7PIN SOCKET FOR SMART CONTROL SYSTEMS	

*Standard Configuration.