



VBKS100 WEATHER PROOF

The VBKS100 fixture is weather proof rated for use indoors and outdoors. Great for use in industrial applications or for residential and commercial applications where you want an industrial look. The VBKS100 is also available with a powder coat paint finish.

BOX Cast zinc with 3 plugs 1/2" npt (also available with 3/4" npt), ground screw and cork gasket.

FITTER Threaded die cast with cork gaskets.

SOCKET Porcelain, medium base, 4KV pulse rated socket with a nickle-plated screw shell and a spring-loaded centre contact.

GLOBE Standard unit comes with clear globe, also available are clear prismatic, frosted and coloured globes. There are two types of coloured globes available. The GL glass is painted on the inside. The second type of glass is the RGL series, which has a more brilliant colour. This is achieved by having the colour added while the glass is being made. Both types of glass are available in the following colours amber, blue, green, red and white.



MAXIMUM WATTAGE 100 watt incandescent.

LAMP Not included.

APPROVAL CSA

FINISH Standard finish is raw. Also available are units painted with a polyester powder coat finish. Some of the most common colours are black, red, white and blue. For other colours please consult factory.



www.rabdesign.ca

Catalog Code

VBKS

GL100 - CLEAR
 GL100CL-RIB - PRISMATIC
 GL100SB - FROSTED

PAINTED GLOBES

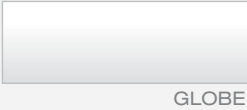
GL100A - AMBER
 GL100G - GREEN
 GL100R - RED
 GL100B - BLUE

RGL GLOBES

RGL100A - AMBER
 RGL100G - GREEN
 RGL100R - RED
 RGL100B - BLUE

IF RAW FINISH LEAVE BLANK

BLK - BLACK
 RD - RED
 WH - WHITE
 BL - BLUE
 CC - CUSTOM COLOUR

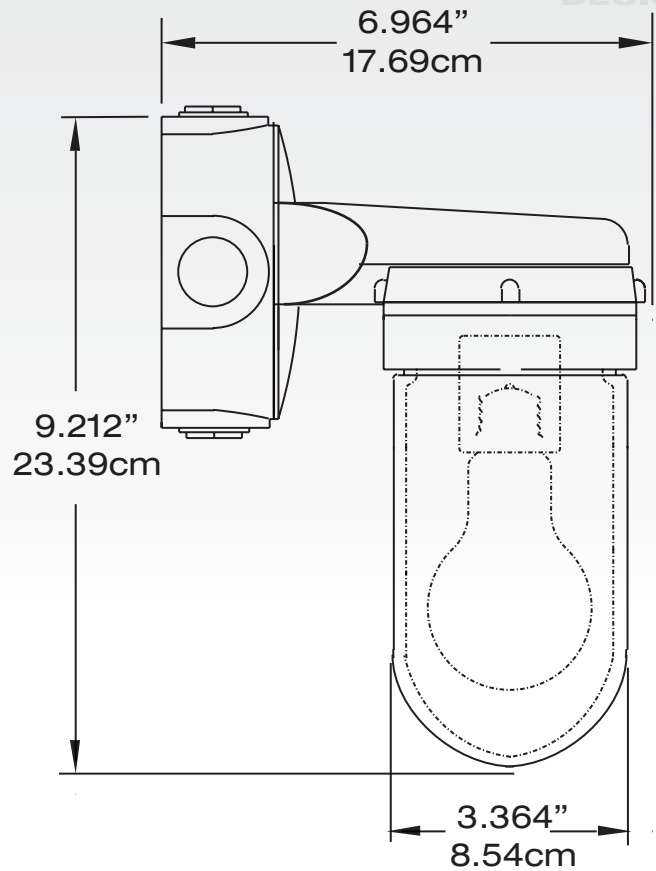


GLOBE



FINISH

Dimensions



GL100
CLEAR



GL100CL-RIB
PRISMATIC



GL100SB
FROSTED



GL100G
GREEN



GL100A
AMBER



GL100B
BLUE



GL100R
RED



RGL100A
AMBER



RGL100G
GREEN



RGL100R
RED



RGL100B
BLUE

