



VBKS-1 AND VBKS-2 FITTER

The VBKS Fitter has an indoor rating when ordered without a globe. Great for use in industrial applications or for residential and commercial applications where you want an industrial look. The VBKS fitter is also available with a powder coat paint finish.

VBKS-1

BOX Cast zinc with 3 plugs 1/2" npt (also available with 3/4" npt), ground screw and cork gasket.

FITTER Die cast fitter with cork gasket. 100 watt maximum. All 100 series glass and lexan globes will fit this unit. Please note if using lexan globes the cast guards will not fit.

SOCKET Porcelain, medium base, 4KV pulse rated socket with a nickle-plated screw shell and a spring-loaded centre contact.

VBKS-2

BOX Cast zinc with 3 plugs 1/2" npt (also available with 3/4" npt), ground screw and cork gasket.

FITTER Die cast fitter with cork gasket. 200 watt maximum. All 200 series glass and lexan globes will fit this unit. Please note if using lexan globes the cast guards will not fit.



SOCKET Porcelain, medium base, 4KV pulse rated socket with a nickle-plated screw shell and a spring-loaded centre contact.

LAMP Not included

FINISH Standard finish is raw. Also available with a powder coat paint finish. Some



Catalog Code



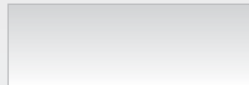
VBKS-1



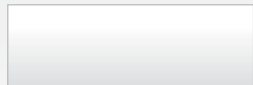
FINISH

IF RAW FINISH LEAVE BLANK
 BLK - BLACK
 RD - RED
 WH - WHITE
 BL - BLUE
 CC - CUSTOM COLOUR

Catalog Code



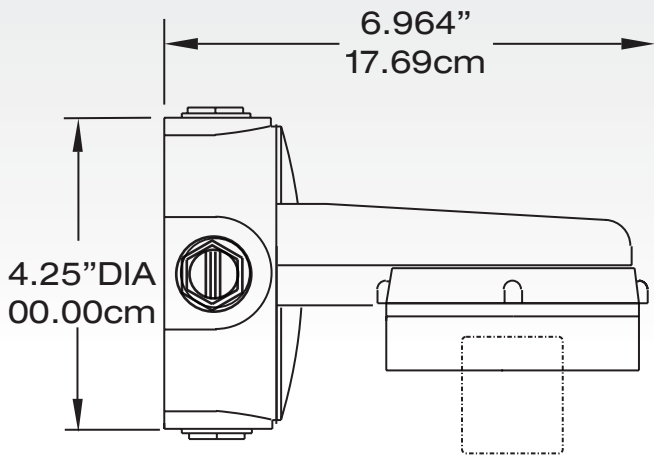
VBKS-2



FINISH

IF RAW FINISH LEAVE BLANK
 BLK - BLACK
 RD - RED
 WH - WHITE
 BL - BLUE
 CC - CUSTOM COLOUR

Dimensions



Dimensions

